

LUMATEK

PROFESSIONAL LIGHTING



MANUAL

VF 90W LED FIXTURE

ENGLISH - FRENCH - ITALIAN - SPANISH - GERMAN - CZECH - RUSSIAN

VF 90W



LUMATEK VF90W LED FIXTURE MANUAL

ENGLISH

TABLE OF CONTENTS

1. **Introduction**
2. **Product Description**
3. **Product information and specifications**
 - 3.1 General product information
 - 3.2 Technical Specifications
 - 3.3 Fixture Dimensions
 - 3.4 Spectral Quantum Distribution Graph
 - 3.5 Light distribution curve
 - 3.6 Environment
 - 3.7 Legal
4. **Safety recommendations and warnings**
5. **Contents**
6. **Installation**
 - 6.1 Fixture assembly & installation
 - 6.2 Connect & disconnect the LED driver
 - 6.3 Switching & connecting the manual dimmer or external lighting controller & adjusting light intensity (dimming)
 - 6.4 Connecting & Powering multiple fixtures in series
 - 6.5 Connecting the LED fixture to the mains
7. **Inspection, maintenance and repair**
8. **Storage and disposal**
9. **Warranty**

1. INTRODUCTION

Thank you for purchasing the Lumatek VF90W LED Fixture. This manual describes how to install and use the LED fixture; please read this manual thoroughly before attempting to install or operate any Lumatek LED system. If you are not comfortable with the installation of high performance lighting systems, you should seek the services of a qualified installation professional.

2. PRODUCT DESCRIPTION

The Lumatek VF90W LED Fixture is an electronic horticultural LED fixture using a linear strip design with an intelligent remote LED driver making the fixture externally controllable & dimmable. The VF90W LED Fixture is a high performance grow light with ideal spectral and PPF output for the propagation of seedlings, cuttings and clones and all low PPF target crops.

The VF90W LED Fixture utilises three 30W LED light bars with 4000K White and 3000K Warm White top bin diodes producing 244 $\mu\text{mol/s}$ PPF and 2.4 $\mu\text{mol/J}$ efficacy. The fixture is versatile and at 1207 x 521 x 20.5mm (L x W x H) it can be fixed to racking for vertical farming applications or hung in other indoor growing environments.

The fixture requires a 650W VF LED driver (sold separately) which can be positioned remotely for greater flexibility and can power up to seven VF90W LED fixtures simultaneously.

In this manual the Lumatek VF90W LED fixture will be referred to as: "the LED fixture".

3. PRODUCT INFORMATION AND SPECIFICATIONS

3.1 General Product Information

PRODUCT NAME	VF90W LED fixture
PRODUCT CODE	LUMLED014
MANUFACTURER	Lumatek Ltd
EAN	5060560031802
PLUG TYPE	UK/EU

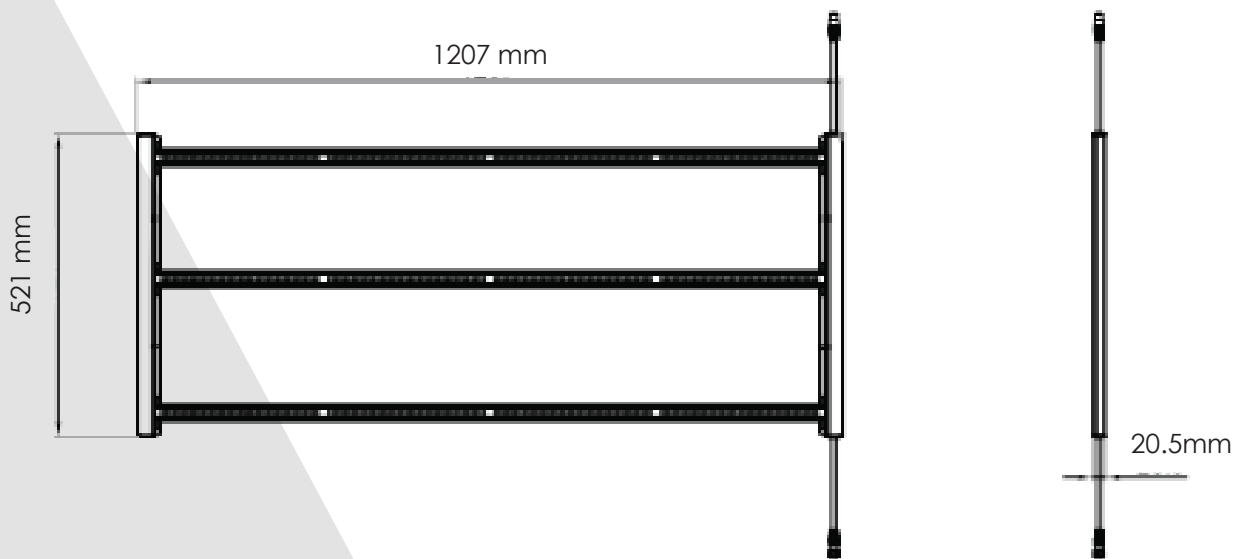
3.2 Technical Specifications

	1 FIXTURE	7 FIXTURES
INPUT VOLTAGE	220-240VAC 50/60Hz	220-240VAC 50/60Hz
INPUT POWER @ 230V AC (100%)	103W	680W (± 20)
INPUT CURRENT @ 230V AC	0.45A	3.1A

PPF
EFFICACY
SPECTRUM
LIGHT SOURCE
DIMENSIONS
WEIGHT
LIFE SPAN
WORKING TEMPERATURE
WORKING HUMIDITY
WATERPROOF/DUSTPROOF
BEAM ANGLE
MANUAL DIM/ EXTERNAL LIGHTING

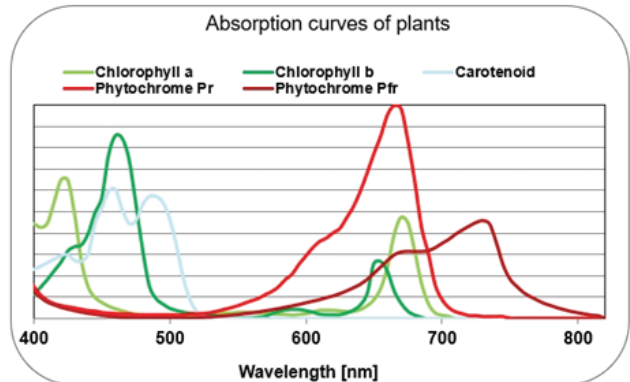
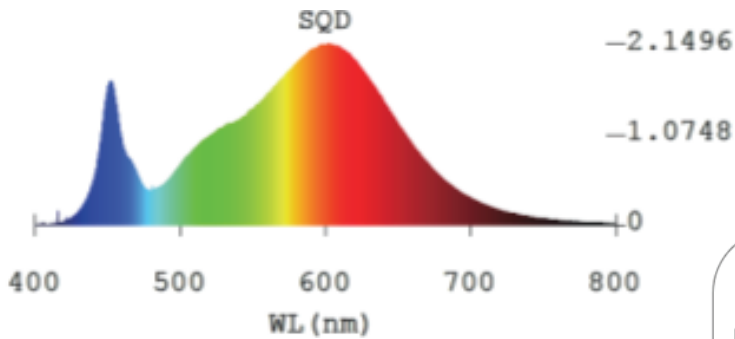
244 $\mu\text{mol/s}$
2.4 $\mu\text{mol/J}$
Full spectrum P
High spec White & Warm White LED
1207 x 521 x 20.5mm
1.72Kg
60000H
-20° -- +40°C
20% - 90%
IP65
120°
0-10V signal protocol

3.3 Fixture Dimensions

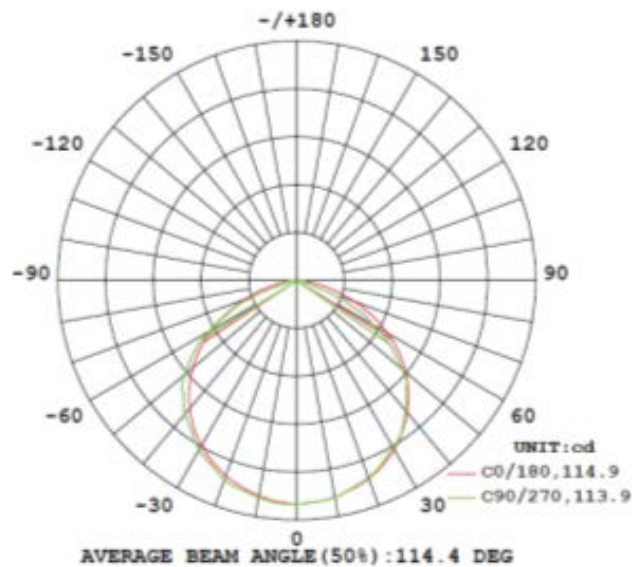


3.4 Spectral Quantum Distribution Graph

The VF fixtures use high spec highly efficient top bin White 4000K & Warm White (3000K) LEDs to create a balanced full spectrum of quality light ideal for photosynthesis.



3.5 Light distribution curve



3.6 Environment

The LED fixture is intended to be used in climate-controlled grow rooms and indoor farms. The product may be used in damp environments but may not be used in wet environments or outdoors. The product will operate in ambient temperatures from -10°C to 40°C but will function at optimal level between 20°C to 30°C. The product will operate in 20% – 90% humidity, non-condensing.

3.7 Legal

This product is UKCA & CE certified compliant with LVD and EMC directive test standards.

4. SAFETY RECOMMENDATIONS AND WARNINGS

Warning! Carefully read the warnings below before using or working with the product!

- Always adhere to the local rules and regulations when installing or using the LED fixture.
- Do not open or disassemble the LED fixture as it contains no serviceable parts inside. Opening or modifying the LED fixture can be dangerous and will void the warranty.
- Do not use the LED fixture when either the LED fixture or its power cable are damaged. Replace the power cable with correctly rated cable only.
- Modifications to the cables can lead to unwanted electromagnetic effects which may make the product not comply with legal requirements.
- Do not expose the LED fixture to:
Condensing humidity, heavy mist or direct spray;
Ambient temperatures outside the specified range;
Dust and contamination;
Direct sunlight during use or HID light that may heat up the driver.
- Always disconnect the LED fixture from mains before performing any maintenance.
- Always allow for a cool down period of at least 20-30 minutes before touching the LED light bars. Touching the LED bars when the fixture is lit or immediately after may result in burns!
- Natural convection removes heat away from the heatsink. In order for the system to properly cool itself, at least 5cm of space is required between the fixture and the roof of your grow area. Do not use abrasive materials or aggressive cleaning agents to clean the LED fixture as this may damage the secondary optics. Instead use a clean dry fabric/cloth.
- Do not use the LED fixture near flammable, explosive or reactive substances. The LED fixture can reach temperatures of 40°C.
- Do not use sulphur vaporizers or water misters.
- The installation and use of the LED fixture is the responsibility of the end user. Incorrect use or installation can lead to failure and damage to the LED fixture. Damage to the LED fixture and electronic circuitry as a result of incorrect installation and use revokes the warranty.

5. CONTENTS

1x USER MANUAL

**1 X VF90W
LED FIXTURE**



6. INSTALLATION

Warning! Mounting and installing the LED fixture must be in accordance with the applicable local laws and regulations.

Warning! The installer is responsible for correct and safe installation.

Warning! Ensure the local cabling can support the voltage and current requirements of the LED fixture.

Warning! Avoid coiled cables and keep mains leads separated to help prevent electromagnetic interference.

Warning! Do not connect or disconnect the LED fixture under load.

6.1 Fixture assembly & installation

Warning! Mount the system to something that can hold the weight of the LED fixture.

The fixture has fixing holes in each frame end and can be attached directly to vertical farm racking or hung with light hangers.

Secure the fixture in required position and height.

For optimal performance; position fixture horizontally at 15cm – 40cm from plants.

6.2 Connect & disconnect the LED driver

Position the LED driver (sold separately) appropriately ensuring it is not in direct Sun or HID light so as to avoid overheating and not directly on the floor where it might contact water or nutrients.

The LED driver is shipped with a 4m power supply cable, a 1.5m power output cable to connect to the fixture (5m extension cable is available to purchase separately) and a 25cm dimming control cable to connect dimmer box/controller to the driver.

To connect the LED driver to the fixture;
Correctly align the driver power OUTPUT cable connector with the driver output socket and push together until click-locked.

Connect other end of driver Output cable to the Fixture Input cable.
To disconnect; turn twist-lock connector anti-clockwise to unlock and pull apart.

6.3 Switching & connecting the manual dimmer or external lighting controller & adjusting light intensity (dimming)

If there is no dimmer box or controller connected to the driver; the LED fixture will switch ON at 100% power when mains power is switched on.

The fixture can be switched ON/OFF using a 0-10V signal dimmer box or lighting controller.

The LED fixture's light intensity can be adjusted without changing spectrum or losing efficiency. This means that PPF can be adjusted to the correct level for growth cycles.

The LED driver can be connected to a 0-10V manual dimming controller or a Lumatek Control Panel Plus/universal lighting controller (all sold separately) for switching and dimming control.

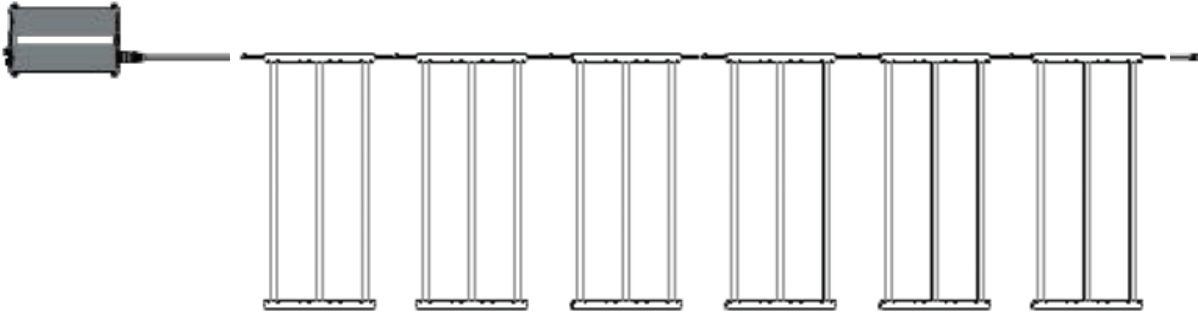
Connect the dimmer box or lighting controller to the driver using the dimming controller cable supplied. Ensure connectors are correctly aligned and then push together until click-locked. To release; turn twist-lock anti-clockwise and pull apart.

Light intensity (PPF level) can be adjusted between 20% - 100% light output.

6.4 Connecting & Powering multiple fixtures in series

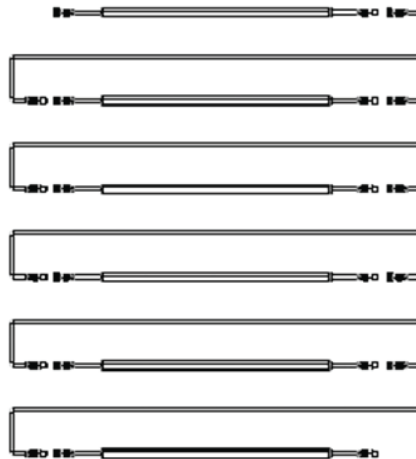
The VF 650W LED driver can be used to power up to seven VF90W fixtures simultaneously. Each fixture has a power input cable (male connector) and a power output cable (female connector). The LED driver power output cable is connected to fixture1 power input cable. Fixture1 power output cable is connected to Fixture2 power input cable. Fixture2 power output cable is connected to Fixture3 power input cable and so on until all seven fixtures are connected.

Example of horizontal connection plan:



For alternative light plans and greater flexibility, extension connecting cables are available to purchase separately.

Example of vertical connection plan with extension connecting cables:



6.5 Connecting the LED fixture to the mains

Warning! Make sure mains power is switched off.

Warning! Ensure the power supply cable is not coiled and does not touch any hot surfaces.

Warning! Connect the cables according to local rules, safety regulations and electrical code.

Warning! If not using an external lighting controller ensure external switching gear can cope with the inrush current of the LED fixture. Always use a timer contactor suitable for switching a capacitive load. Never use household timers to switch the LED fixture!

Warning! Do not connect or disconnect the LED fixture under load.

Ensure the LED driver power supply cable self-locking female connector is correctly aligned to the corresponding male connector on driver and push together until click-locked. To disconnect; turn twist-lock connector anti-clockwise to unlock and pull apart from driver.

Connect mains power plug to switching gear/power supply.

Switch on mains power.

7. INSPECTION, MAINTENANCE AND REPAIR

Warning! Disconnect the LED fixture from mains before performing any maintenance or repairs.

Warning! Do not connect or disconnect the LED fixture under load.

Warning! Do not open or disassemble the LED fixture, it contains no serviceable parts inside. Opening the LED fixture can be dangerous and will void the warranty.

Warning! Always wait 20 – 30 minutes for the LED light bars to cool down before handling.

Caution! Do not clean the LED fixture with detergents, abrasives or other aggressive substances.

Regularly check the LED fixture for dust or dirt build up. Clean if necessary. Contamination may cause overheating and decreased performance.

Clean the outside of the LED fixture using a dry or damp cloth.

Regularly check the cables of the LED fixture to ensure it is undamaged.

8. STORAGE AND DISPOSAL

Store the LED fixture in a dry and clean environment, with an ambient temperature of -25°C to 55°C.

The product must not be discarded as unsorted municipal waste but must be collected separately for the purpose of treatment, recovery and environmentally sound disposal.

9. WARRANTY

Lumatek warrants the mechanical and electronic components of their product to be free of defects in material and workmanship if used under normal operating conditions for a period of three (3) years from the original date of purchase. If the product shows any defects within this period and that defect is not due to user error or improper use Lumatek shall, at its discretion, either replace or repair the product using suitable new or reconditioned products or parts. In case Lumatek decides to replace the entire product, this limited warranty shall apply to the replacement product for the remaining initial warranty period, i.e. three (3) years from the date of purchase of the original product. For service; return the product to your shop with the original sales receipt.

LUMATEK VF90W

LED FIXTURE MANUAL

ESPAÑOL

TABLA DE CONTENIDO

- 1. Introducción**
- 2. Descripción del producto**
- 3. Información y especificaciones del producto**
 - 3.1 Información general del producto
 - 3.2 Especificaciones técnicas
 - 3.3 Dimensiones de la luminaria
 - 3.4 Gráfico de distribución cuántica espectral
 - 3.5 Curva de distribución luminosa
 - 3.6 Medio Ambiente
 - 3.7 Legal
- 4. Recomendaciones de seguridad y advertencias**
- 5. Contenido**
- 6. Instalación**
 - 6.1 Montaje e instalación de la luminaria
 - 6.2 Conexión y desconexión del driver LED
 - 6.3 Conectar el regulador manual o el controlador de iluminación externo y ajustar la intensidad de la luz (regulación)
 - 6.4 Conexión de las luminarias en serie para el control externo
 - 6.5 Conexión de la luminaria LED a la red eléctrica
- 7. Inspección, mantenimiento y reparación**
- 8. Almacenamiento y eliminación**
- 9. Garantía**

1. INTRODUCCIÓN

Gracias por adquirir la luminaria LED Lumatek VF90W. Este manual describe cómo instalar y utilizar la luminaria LED; por favor, lea este manual detenidamente antes de intentar instalar o utilizar cualquier sistema LED Lumatek. Si no se siente cómodo con la instalación de sistemas de iluminación de alto rendimiento, debe buscar los servicios de un profesional de instalación calificado.

2. DESCRIPCIÓN DEL PRODUCTO

La luminaria LED VF90W de Lumatek es una luminaria LED hortícola electrónica que utiliza un diseño de tira lineal con un controlador LED remoto inteligente que hace que la luminaria sea controlable y regulable externamente. La lámpara LED VF90W es una luz de crecimiento de alto rendimiento con una salida espectral y PPF ideal para la propagación de plántulas, esquejes y clones y todos los cultivos objetivo de baja PPF.

La lámpara LED VF90W utiliza tres barras de luz LED de 30W con diodos de color blanco de 4000K y blanco cálido de 3000K que producen una PPF de 244 $\mu\text{mol/s}$ y una eficacia de 2,4 $\mu\text{mol/J}$. La luminaria es versátil y, con sus 1207 x 521 x 20,5 mm (largo x ancho x alto), puede fijarse en estanterías para aplicaciones de cultivo vertical o colgarse en otros entornos de cultivo interior.

La luminaria requiere un controlador LED VF de 650W (se vende por separado) que puede colocarse a distancia para una mayor flexibilidad y puede alimentar hasta siete luminarias LED VF90W simultáneamente.

En este manual se hará referencia a la luminaria Lumatek VF90W LED como: "la luminaria LED".

3. INFORMACIÓN Y ESPECIFICACIONES DEL PRODUCTO

3.1 Información general del producto

NOMBRE DEL PRODUCTO	VF90W LED fixture
NÚMERO DE PARTE	LUMLED014
FABRICANTE	Lumatek EU
EAN	5060560031802
TIPO DE ENCHUFE	REINO UNIDO/EU

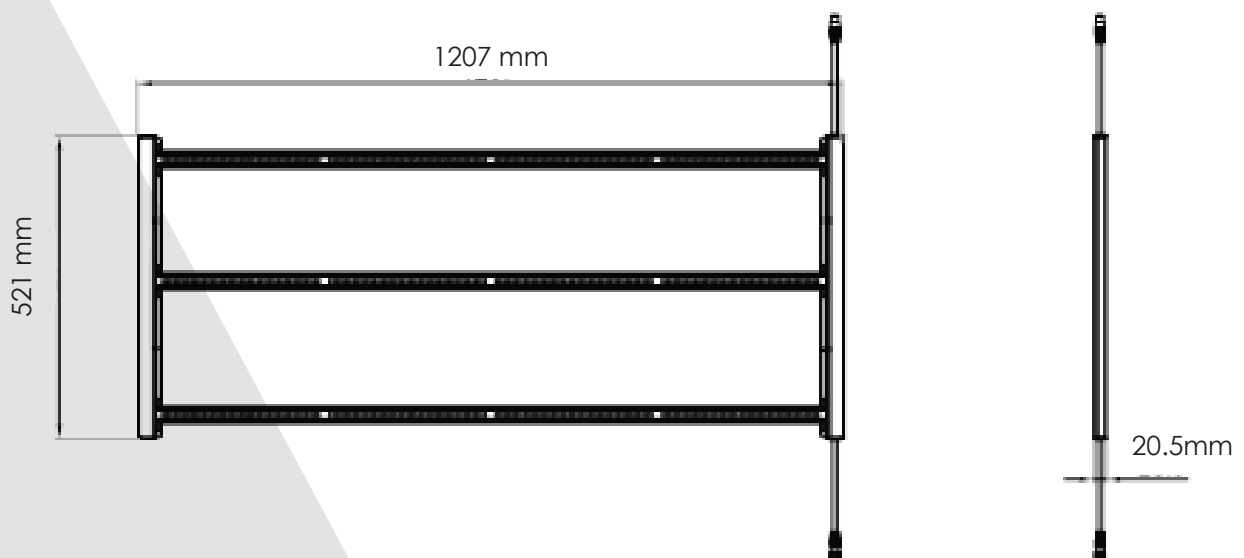
3.2 Especificaciones técnicas

	1 LUMINARIA	7 LUMINARIAS
TENSIÓN DE ENTRADA	220-240VAC 50/60Hz	220-240VAC 50/60Hz
POTENCIA DE ENTRADA @ 230V AC (100%)	103W	680W (± 20)
CORRIENTE DE ENTRADA @ 230V AC	0.45A	3.1A

PPF
EFICACIA
SPECTRO
FUENTE DE LUZ
DIMENSIONES
PESO
ESPERANZA DE VIDA
TEMPERATURA DE FUNCIONAMIENTO
HUMEDAD DE TRABAJO
IMPERMEABLE / A PRUEBA DE POLVO
ÁNGULO DE HAZ
ATENUADOR MANUAL / CONTROLADOR DE ILUMINACIÓN EXTERNA

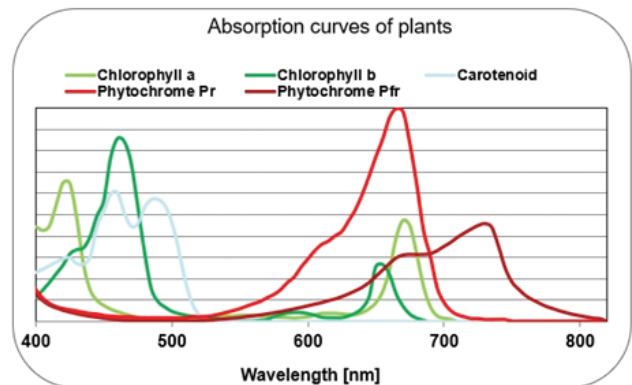
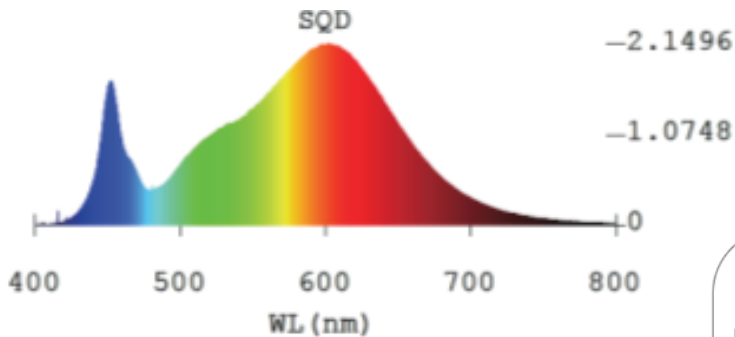
244 $\mu\text{mol/s}$
2.4 $\mu\text{mol/J}$
Espectro completo P
High spec White & Warm White LED
1207 x 521 x 20.5mm
1.72Kg
60000H
-20° -- +40°C
20% - 90%
IP65
120°
Protocolo de señal 0-10V

3.3 Dimensiones del accesorio

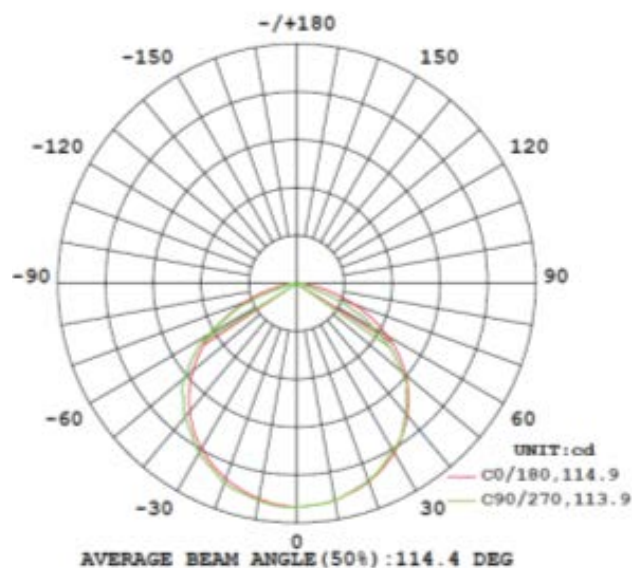


3.4 Gráfico de distribución cuántica espectral

Las luminarias VF utilizan LEDs de alta especificación y alta eficiencia de color blanco 4000K y blanco cálido (3000K) para crear un espectro completo y equilibrado de luz de calidad ideal para la fotosíntesis.



3.5 Curva de distribución luminosa



3.6 Medio ambiente

La luminaria LED está diseñado para ser utilizado en salas de cultivo con clima controlado, granjas interiores e invernaderos. El producto puede usarse en ambientes húmedos, pero no puede usarse en ambientes húmedos o al aire libre.

El producto funcionará a temperaturas ambiente de -10°C a 40°C, pero funcionará a un nivel óptimo entre 20°C y 30°C.

El producto funcionará en 20% - 90% de humedad, sin condensación.

3.7 Legal

Este producto está certificado por la UKCA y la CE y cumple con las normas de prueba de la directiva LVD y EMC.

4. RECOMENDACIONES DE SEGURIDAD Y ADVERTENCIAS

Warning! ¡Por favor lea atentamente las siguientes advertencias antes de usar o trabajar con el producto!

- Siempre siga las reglas y regulaciones locales al instalar o usar la luminaria LED.
- No abra ni desmonte la luminaria LED, ya que no contiene piezas reparables en su interior. El abrir o modificar la luminaria LED puede ser peligroso y anulará la garantía.
- No utilice el la luminaria LED cuando la luminaria LED o su cable de alimentación estén dañados. Reemplace el cable de alimentación solo con un cable con clasificación correcta.
- Las modificaciones en los cables puede dar lugar a efectos electromagnéticos no deseados, lo que hace que el producto no cumpla con los requisitos legales.
- No exponga el dispositivo LED a:
Humedad condensada, neblina intensa, neblina o rociado directo;
Temperaturas ambiente fuera del rango especificado;
Polvo y contaminación;
Luz solar directa durante el uso o luz HID que podría calentar el balasto.
- Siempre desconecte el dispositivo de la red eléctrica antes de realizar cualquier mantenimiento.
- Siempre permita un período de enfriamiento de al menos 20-30 minutos antes de tocar la luminaria LED. ¡El tocar la luminaria LED cuando el dispositivo está encendido o inmediatamente después puede provocar quemaduras!
- La convección natural elimina el calor del disipador térmico. Para que el sistema pueda enfriarse bien, se requiere al menos 5 cm de espacio entre la luminaria y el techo de su área de cultivo.
- Por favor no utilice materiales abrasivos o agentes de limpieza agresivos para limpiar la luminaria LED, ya que esto puede dañar la óptica secundaria. En su lugar, utilice un paño limpio, húmedo o seco.
- No utilice el dispositivo cerca de sustancias inflamables, explosivas o reactivas. La luminaria LED puede alcanzar temperaturas de 40°C.
- No use vaporizadores de azufre o agua pulverizada.
- La instalación y el uso del dispositivo son responsabilidad del usuario final. El uso o una instalación incorrecta pueden provocar fallas y daños en la luminaria LED. El daño a la luminaria LED y a los circuitos electrónicos como resultado de una instalación y uso incorrecto revocará la garantía.

5. CONTENIDO

1x MANUAL
1 X APARATO
LED VF90W



6. INSTALACIÓN

¡Advertencia! El montaje e instalación de la luminaria LED debe realizarse de acuerdo con las leyes y regulaciones locales aplicables.

¡Advertencia! El instalador tiene la responsabilidad de una instalación correcta y segura.

¡Advertencia! Por favor asegúrese que el cableado local pueda soportar los requisitos de voltaje y corriente del dispositivo.

¡Advertencia! Evite los cables en espiral y mantenga los cables de alimentación separados para ayudar a evitar interferencias electromagnéticas.

¡Advertencia! No conecte ni desconecte el dispositivo LED bajo carga.

6.1 Montaje e instalación de accesorios

¡Advertencia! Monte el sistema en algo que pueda soportar el peso de la luminaria LED.

La luminaria tiene agujeros de fijación en cada extremo del marco y puede ser fijada directamente a estanterías verticales de la granja o colgada con perchas de luz.

Fije la luminaria en la posición y altura requeridas.

Para un rendimiento óptimo, coloque la luminaria en posición horizontal a una distancia de entre 15 y 40 cm de las plantas.

6.2 Conectar y desconectar el driver LED

Coloque el controlador LED (vendido por separado) de forma adecuada, asegurándose de que no esté en contacto directo con el sol o la luz HID para evitar el sobrecalentamiento, y no directamente en el suelo donde podría entrar en contacto con el agua o los nutrientes.

El controlador LED se envía con un cable de alimentación de 4 m, un cable de salida de energía de 1,5 m para conectar a la luminaria (hay un cable de extensión de 5 m disponible para comprar por separado) y un cable de control de regulación de 25 cm para conectar la caja de regulación/controlador al controlador. Para conectar el driver LED a la luminaria; Alinee correctamente el conector del cable de salida del driver con la toma de salida del driver y empújelo hasta que encaje.

Conecte el otro extremo del cable de salida del driver al cable de entrada de la luminaria. Para desconectar el cable, gire el conector en sentido contrario a las agujas del reloj para desbloquearlo y separarlo.

6.3 Conmutación y conexión del regulador manual o del controlador de iluminación externo & ajuste de la intensidad de la luz (regulación)

Si no hay una caja de regulación o un controlador conectado al controlador, la luminaria LED se encenderá al 100% de potencia cuando se conecte a la red eléctrica.

La luminaria puede ser encendida/apagada utilizando una caja de regulación de señal 0-10V o un controlador de iluminación.

La intensidad de la luz de la luminaria LED puede ajustarse sin cambiar el espectro ni perder eficiencia. Esto significa que la PPF puede ajustarse al nivel correcto para los ciclos de crecimiento.

El driver LED puede conectarse a un controlador de regulación manual de 0-10V o a un panel de control Lumatek Plus/ controlador de iluminación universal (todos se venden por separado) para la conmutación y el control de la regulación.

Conecte la caja de regulación o el controlador de iluminación al driver utilizando el cable del controlador de regulación suministrado.

Asegúrese de que los conectores están correctamente alineados y empújelos hasta que se bloqueen con un clic. Para soltarlos, gire el cierre en sentido contrario a las agujas del reloj y sepárelos.

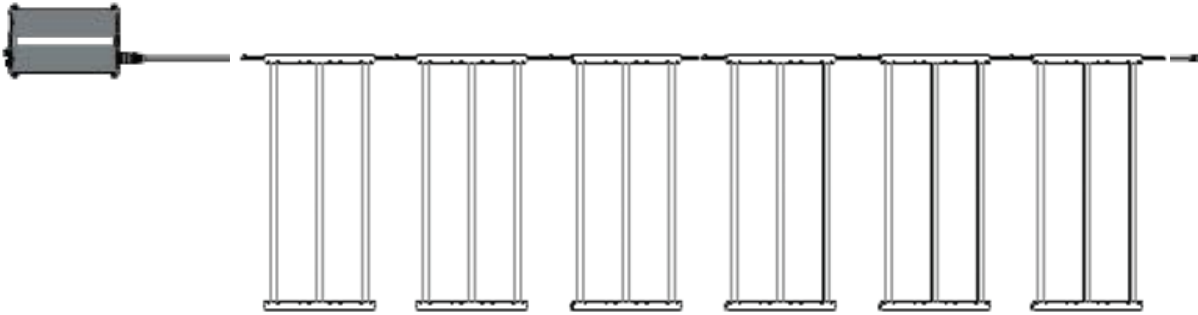
La intensidad de la luz (nivel PPF) puede ajustarse entre el 20% y el 100% de la salida de luz.

6.4 Conexión y alimentación de varias luminarias en serie

El driver LED VF 650W puede utilizarse para alimentar hasta siete luminarias VF90W simultáneamente. Cada aparato tiene un cable de entrada de energía (conector macho) y un cable de salida de energía (conector hembra).

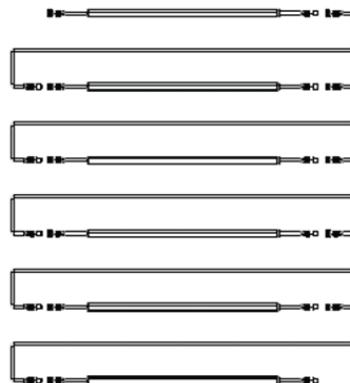
El cable de salida de energía del controlador LED se conecta al cable de entrada de energía de la luminaria 1. El cable de salida de energía de la luminaria 1 se conecta al cable de entrada de energía de la luminaria 2. El cable de salida de alimentación de la luminaria 2 se conecta al cable de entrada de alimentación de la luminaria 3 y así sucesivamente hasta que se conecten las siete luminarias.

Ejemplo de plan de conexión horizontal:



Para planes de iluminación alternativos y una mayor flexibilidad, los cables de conexión de extensión están disponibles para comprar por separado.

Ejemplo de plan de conexión vertical con cables de conexión de extensión:



6.5 Conexión de la luminaria LED a la red eléctrica

¡Advertencia! Por favor asegúrese que la red eléctrica esté apagada.

¡Advertencia! Asegúrese que el cable de alimentación no esté enrollado y que no toque ninguna superficie caliente.

¡Advertencia! Conecte los cables de acuerdo con las normas locales, las normas de seguridad y el código eléctrico.

¡Advertencia! Si no utiliza un controlador de iluminación externo, asegúrese que el equipo de conmutación externo pueda hacer frente a la corriente de entrada de la luminaria LED. Utilice siempre un contactor temporizador adecuado para cambiar una carga capacitiva. ¡Nunca use temporizadores domésticos para cambiar la luminaria LED!

¡Advertencia! No conecte ni desconecte el dispositivo LED bajo carga.

Asegúrese que el conector hembra del cable de alimentación del conductor del LED esté alineado correctamente con el conector macho correspondiente del conductor y presione junto hasta que se bloquee con el clic.

Para desconectar, gire el conector hembra en sentido contrario a las agujas del reloj para desbloquear y separar del conductor.

Conecte el enchufe de alimentación de la red a cambio de engranaje/fuente de alimentación

Encienda la alimentación de red.

7. INSPECCIÓN, MANTENIMIENTO Y REPARACIÓN

¡Advertencia! Siempre desconecte el dispositivo de la red eléctrica antes de realizar cualquier mantenimiento.

¡Advertencia! No conecte ni desconecte el dispositivo LED bajo carga.

¡Advertencia! No abra ni desmonte la luminaria LED, ya que no contiene piezas reparables en su interior. El abrir o modificar la luminaria LED puede ser peligroso y anulará la garantía.

¡Advertencia! Siempre espere de 20 a 30 minutos para que las barras de luz LED se enfríen.

¡Precaución! No limpie el dispositivo con detergentes, abrasivos u otras sustancias agresivas.

Revise regularmente el dispositivo para detectar la presencia de polvo o suciedad acumulada. Límpielo de ser necesario. La contaminación puede causar sobrecalentamiento y disminución del rendimiento. Limpie el exterior de la lámpara LED con un paño seco o húmedo.

Compruebe regularmente el cableado del producto para asegurarse que no esté dañado.

8. ALMACENAMIENTO Y ELIMINACIÓN

Almacene la luminaria en un ambiente seco y limpio, con una temperatura ambiente de -25°C a 55°C. No deseche el producto como residuo municipal sin antes clasificarlo, ya que debe recogerse por separado con fines de tratamiento, recuperación y eliminación ambientalmente racional.

9. GARANTÍA

Lumatek garantiza que los componentes mecánicos y electrónicos de su producto están libres de defectos de material y mano de obra si se utilizan en condiciones normales de funcionamiento durante un período de tres (3) años a partir de la fecha original de compra. Si el producto presenta algún defecto dentro de este periodo y dicho defecto no se debe a un error del usuario o a un uso inadecuado, Lumatek, a su discreción, sustituirá o reparará el producto utilizando productos o piezas nuevas o reacondicionadas adecuadas. En caso de que Lumatek decida reemplazar todo el producto, esta garantía limitada se aplicará al producto de reemplazo durante el período de garantía inicial restante, es decir, tres (3) años a partir de la fecha de compra del producto original. Para el servicio; devuelva el producto a su tienda con el recibo de compra original.

LUMATEK VF90W

LED FIXTURE HANDBUCH

DEUTSCH

INHALTSVERZEICHNISS

1. **Einführung**
2. **Produktbeschreibung**
3. **Produktinformation und Technische Daten**
 - 3.1 Allgemeine Informationen zum Produkt
 - 3.2 Technische Daten
 - 3.3 Abmessungen des Geräts
 - 3.4 Spektrale Quantenverteilungskurve
 - 3.5 Lichtverteilungskurve
 - 3.6 Rahmenbedingungen
 - 3.7 Rechtliches
4. **Sicherheitsempfehlungen und Warnhinweise**
5. **Inhalt**
6. **Montage**
 - 6.1 Zusammenbau und Installation der Leuchte
 - 6.2 Anschließen & Trennen des LED-Treibers
 - 6.3 Einschalten & Anschließen des manuellen Dimmers oder der externen Lichtsteuerung & Einstellen der Lichtintensität (Dimmen)
 - 6.4 Reihenschaltung von Leuchten zur externen Steuerung
 - 6.5 Anschluss der LED-Leuchte an das Stromnetz
7. **Inspektion, Wartung und Reparatur**
8. **Lagerung und Entsorgung**
9. **Garantie und Gewährleistung**

1. EINLEITUNG

Vielen Dank, dass Sie sich für die Lumatek VF90W LED-Leuchte entschieden haben. Dieses Handbuch beschreibt die Installation und Verwendung der LED-Leuchte. Bitte lesen Sie dieses Handbuch sorgfältig durch, bevor Sie versuchen, ein Lumatek LED-System zu installieren oder zu betreiben. Wenn Sie mit der Installation von Hochleistungsbeleuchtungssystemen nicht vertraut sind, sollten Sie die Dienste eines qualifizierten Installateurs in Anspruch nehmen.

2. PRODUKTBESCHREIBUNG

Die Lumatek VF90W LED-Leuchte ist eine elektronische Gartenbau-LED-Leuchte, die ein lineares Streifendesign mit einem intelligenten, fernbedienbaren LED-Treiber verwendet, der die Leuchte extern steuerbar und dimmbar macht. Die VF90W LED Fixture ist ein Hochleistungs-Wachstumslicht mit idealem Spektral- und PPF-Output für die Vermehrung von Sämlingen, Stecklingen und Klonen sowie allen Zielkulturen mit niedrigem PPFd.

Die VF90W LED-Leuchte verwendet drei 30W LED-Lichtbalken mit 4000K weißen und 3000K warmweißen Top-Bin-Dioden, die 244 $\mu\text{mol/s PPF}$ und 2,4 $\mu\text{mol/J}$ Effizienz erzeugen. Die Leuchte ist vielseitig und kann mit ihren Maßen von 1207 x 521 x 20,5 mm (L x B x H) an Regalen für vertikale Anbauanwendungen befestigt oder in anderen Innenanbauumgebungen aufgehängt werden.

Die Leuchte benötigt einen 650W VF LED-Treiber (separat erhältlich), der für mehr Flexibilität entfernt positioniert werden kann und bis zu sieben VF90W LED-Leuchten gleichzeitig betreiben kann.

In diesem Handbuch wird das Lumatek VF90W LED-Gerät als: "das LED-Gerät" bezeichnet.

3. PRODUKTINFORMATIONEN UND SPEZIFIKATIONEN

3.1 Allgemeine Produktinformationen

PRODUKTNAME	VF90W LED fixture
PRODUKT-CODE	LUMLED014
HERSTELLER	Lumatek EU
EAN	5060560031802
STECKERTYP	UK/EU

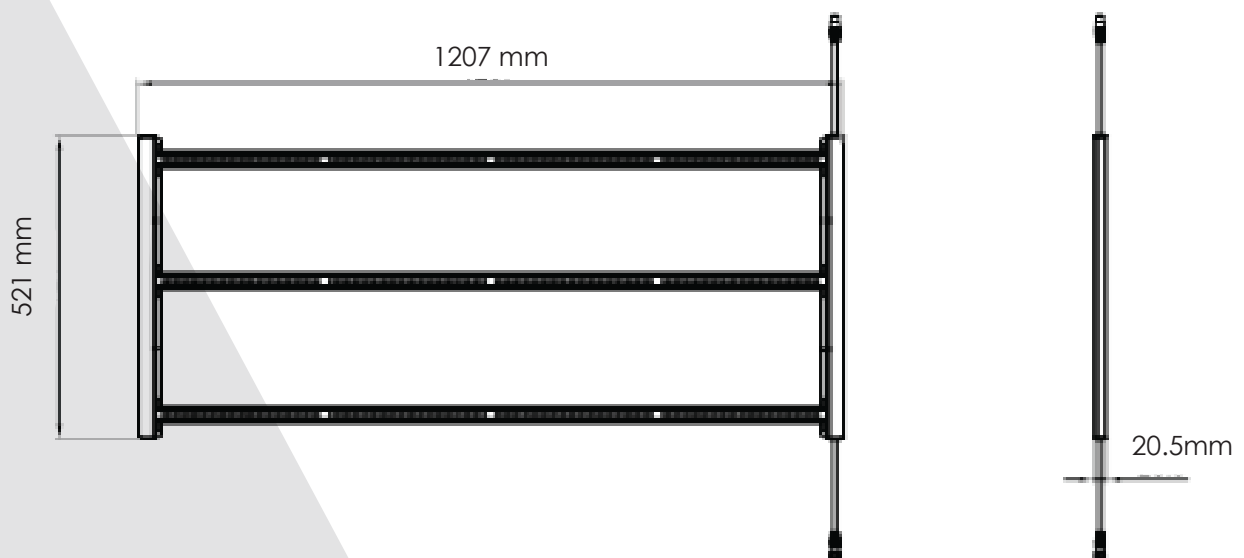
3.2 Technische Spezifikationen

	1 LEUCHTE	7 LEUCHTE
EINGANGSSPANNUNG	220-240VAC 50/60Hz	220-240VAC 50/60Hz
EINGANGSLEISTUNG BEI 230V AC (100%)	103W	680W (± 20)
EINGANGSSTROM BEI 230V AC	0.45A	3.1A

PPF
WIRKUNGSGRAD
SPEKTRUM
LICHTQUELLE
ABMESSUNGEN
GEWICHT
LEBENSDAUER
BETRIEBSTEMPERATUR
BETRIEBSFEUCHTIGKEIT
WASSERDICHT / STAUBDICHT
ABSTRAHLWINKEL
MANUELLES DIMMEN/ EXTERNE LICHTSTEUERUNG

244 $\mu\text{mol/s}$
2.4 $\mu\text{mol/J}$
Vollspektrum P
HOCHWERTIGE WEIßE UND WARMWEIßE LED
1207 x 521 x 20.5mm
1.72Kg
60000H
-20° -- +40°C
20% - 90%
IP65
120°
0-10V Signalprotokoll

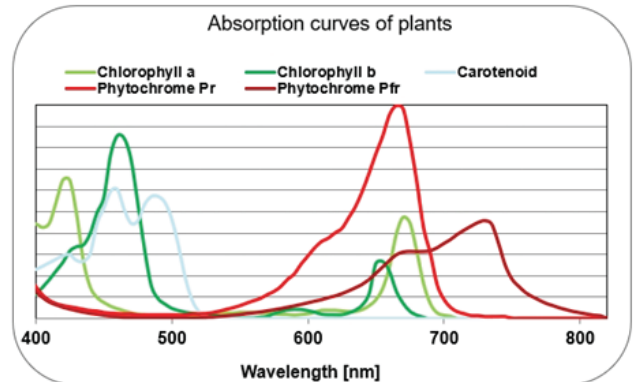
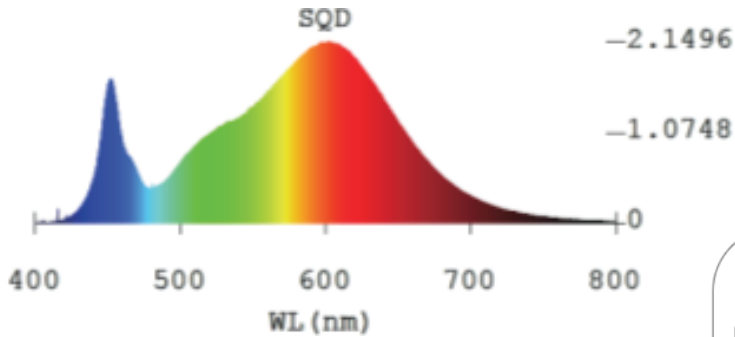
3.3 Abmessungen der Halterung



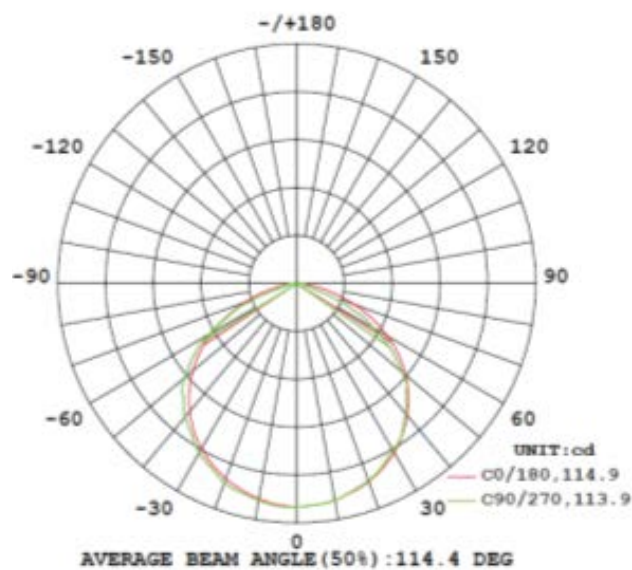
3.4 Diagramm der spektralen Quantenverteilung

Die VF-Leuchten verwenden hochspezialisierte, hocheffiziente Top Bin White 4000K & Warm White (3000K) LEDs, um ein ausgewogenes Vollspektrum an Qualitätslicht zu erzeugen ideal für die Photosynthese.

Full Spectrum P wurde für die Vermehrung von Sämlingen, Stecklingen und Klonen sowie für alle Zielkulturen mit niedrigem PPF-D-Wert entwickelt.



3.5 Lichtverteilungskurve



3.6 Rahmenbedingungen

Das LED-Gerät ist für den Einsatz in klimatisierten Grow-Rooms und Indoor-Farmen vorgesehen. Das Produkt kann in feuchten Umgebungen verwendet werden, darf aber nicht in nassen Umgebungen oder im Freien eingesetzt werden.

Das Produkt kann bei Umgebungstemperaturen von -10 °C bis 40 °C betrieben werden, funktioniert aber optimal bei Temperaturen zwischen 20 °C und 30 °C.

Das Produkt kann bei einer Luftfeuchtigkeit von 20 % bis 90 %, ohne Kondensation, betrieben werden.

3.7 Rechtliches

Dieses Produkt ist UKCA- und CE-zertifiziert und entspricht den Prüfstandards der LVD- und EMV-Richtlinie.

4. SICHERHEITSEMPFEHLUNGEN UND WARNHINWEISE

Warnung! Lesen Sie die folgenden Warnhinweise sorgfältig durch, bevor Sie das Produkt verwenden oder mit ihm arbeiten!

- - Halten Sie sich bei der Installation und Verwendung des LED-Geräts immer an die örtlichen Vorschriften und Regeln.
- Öffnen oder zerlegen Sie das LED-Gerät nicht, da es im Inneren keine zu wartenden Teile enthält. Das Öffnen oder Verändern des LED-Geräts kann gefährlich sein und führt zum Erlöschen der Garantie.
- Verwenden Sie das LED-Gerät nicht, wenn entweder das LED-Gerät oder das Netzkabel beschädigt ist. Ersetzen Sie das Netzkabel nur durch ein Kabel mit dem richtigen Nennwert.
- Änderungen an den Kabeln können zu unerwünschten elektromagnetischen Effekten führen, die dazu führen können, dass das Produkt nicht mehr den gesetzlichen Anforderungen entspricht.
- Setzen Sie das LED-Gerät nicht folgenden Einflüssen aus: Kondenswasser, starkem Nebel oder direktem Spritzwasser; Umgebungstemperaturen außerhalb des spezifizierten Bereichs; Staub und Verschmutzung; Direkter Sonneneinstrahlung während des Betriebs oder HID-Licht, das den Treiber erwärmen kann.
- Trennen Sie das LED-Gerät immer vom Stromnetz, bevor Sie eine Wartung durchführen.
- Lassen Sie das Gerät mindestens 20-30 Minuten abkühlen, bevor Sie es berühren. Das Berühren des LED-Geräts im eingeschalteten Zustand oder unmittelbar danach kann zu Verbrennungen führen!
- Die natürliche Konvektion transportiert die Wärme vom Kühlkörper weg. Damit sich das System richtig abkühlen kann, ist ein Abstand von mindestens 5 cm zwischen dem Gerät und der Decke Ihres Growbereichs erforderlich.
- Verwenden Sie keine scheuernden Materialien oder aggressive Reinigungsmittel, um das LED-Gerät zu reinigen, da dies die Sekundäroptik beschädigen kann. Verwenden Sie stattdessen einen sauberen, feuchten oder trockenen Stoff/Tuch.
- Verwenden Sie das LED-Gerät nicht in der Nähe von brennbaren, explosiven oder reaktiven Substanzen. Das LED-Gerät kann Temperaturen von 40 °C erreichen.
- Verwenden Sie keine Schwefelverdampfer oder Wasserzerstäuber.
- Die Installation und Verwendung des LED-Geräts liegt in der Verantwortung des Endanwenders. Eine unsachgemäße Verwendung oder Installation kann zu Fehlfunktionen und Schäden am LED-Gerät führen. Schäden am LED-Gerät und an der Elektronik, die durch unsachgemäße Installation und Verwendung verursacht werden, führen zum Erlöschen der Garantie.

5. INHALT

1x **HANDBUCH**
1 X **VF90W**
LED-LEUCHTE



6. MONTAGE

Warnung! Die Montage und Installation der LED-Leuchte muss in Übereinstimmung mit den geltenden lokalen Gesetzen und Vorschriften erfolgen.

Warnung! Der Installateur ist für die korrekte und sichere Installation verantwortlich.

Warnung! Stellen Sie sicher, dass die lokale Verkabelung die Spannungs- und Stromanforderungen des LED-Geräts unterstützt.

Warnung! Vermeiden Sie gewickelte Kabel und halten Sie Netzleitungen getrennt, um elektromagnetische Störungen zu vermeiden.

Warnung! Schließen Sie das LED-Gerät nicht unter Last an und trennen Sie es nicht unter Last.

6.1 Montage und Installation des Geräts

Achtung! Befestigen Sie das System an einer Stelle, die das Gewicht der LED-Leuchte tragen kann.

Die Leuchte verfügt über Befestigungslöcher an jedem Rahmenende und kann direkt an vertikalen Regalen befestigt oder mit Leuchtaufhängern aufgehängt werden.

Befestigen Sie die Leuchte in der gewünschten Position und Höhe.

Für eine optimale Leistung positionieren Sie die Leuchte horizontal in einem Abstand von 15 cm bis 40 cm von den Pflanzen.

6.2 Anschließen und Abnehmen des LED-Treibers

Platzieren Sie den LED-Treiber (separat erhältlich) so, dass er nicht in direktem Sonnen- oder HID-Licht steht, um eine Überhitzung zu vermeiden, und nicht direkt auf dem Boden, wo er mit Wasser oder Nährstoffen in Kontakt kommen könnte.

Der LED-Treiber wird mit einem 4 m langen Stromversorgungskabel, einem 1,5 m langen Stromausgangskabel zum Anschluss an die Leuchte (ein 5 m langes Verlängerungskabel ist separat erhältlich) und einem 25 cm langen Dimm-Steuerkabel zum Anschluss der Dimmerbox/des Controllers an den Treiber geliefert.

So schließen Sie den LED-Treiber an die Leuchte an:

Richten Sie den Stecker des OUTPUT-Kabels des Treibers korrekt auf die Ausgangsbuchse des Treibers aus und drücken Sie ihn zusammen, bis er mit einem Klick einrastet.

Verbinden Sie das andere Ende des Ausgangskabels des Treibers mit dem Eingangskabel des Geräts.

Zum Trennen der Verbindung: Drehen Sie den Drehverschluss gegen den Uhrzeigersinn, um ihn zu entriegeln und ziehen Sie ihn auseinander.

6.3 Einschalten und Anschließen des manuellen Dimmers oder der externen Lichtsteuerung und Einstellen der Lichtintensität (Dimmen)

Wenn keine Dimmerbox oder Lichtsteuerung an den Treiber angeschlossen ist, schaltet sich das LED-Gerät mit 100% Leistung ein, wenn die Netzspannung eingeschaltet wird.

Die Leuchte kann mit einer 0-10V Dimmerbox oder einem Lichtsteuergerät ein- und ausgeschaltet werden.

Die Lichtintensität der LED-Leuchte kann angepasst werden, ohne das Spektrum zu verändern oder an Effizienz zu verlieren. Dies bedeutet, dass der PPF auf das richtige Niveau für die Wachstumszyklen eingestellt werden kann.

Der LED-Treiber kann an einen manuellen 0-10-V-Dimmer oder ein Lumatek Control Panel Plus/Universal-Lichtsteuergerät (alle separat erhältlich) angeschlossen werden, um das Schalten und Dimmen zu steuern.

Schließen Sie die Dimmerbox oder den Beleuchtungscontroller mit dem mitgelieferten Dimmercontrollerkabel an den Treiber an.

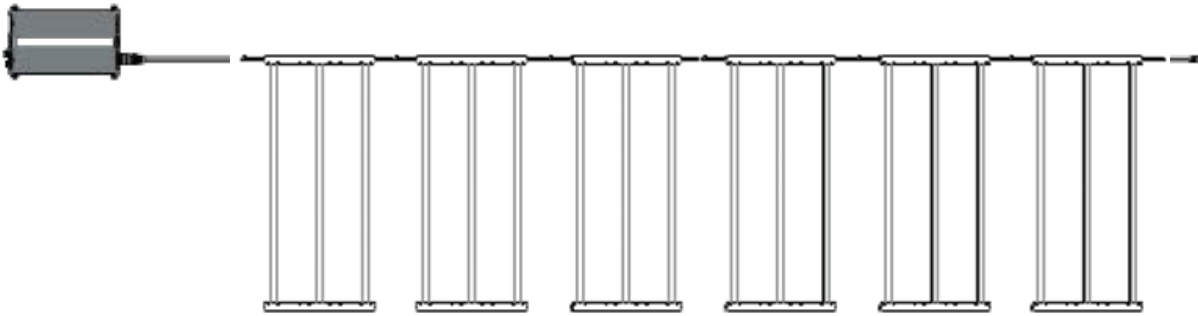
Vergewissern Sie sich, dass die Stecker richtig ausgerichtet sind, und schieben Sie sie dann zusammen, bis sie mit einem Klick einrasten. Zum Lösen: Drehen Sie die Verriegelung gegen den Uhrzeigersinn und ziehen Sie sie auseinander.

Die Lichtintensität (PPF-Level) kann zwischen 20% und 100% Lichtleistung eingestellt werden.

6.4 Anschluss und Betrieb mehrerer Geräte in Reihe

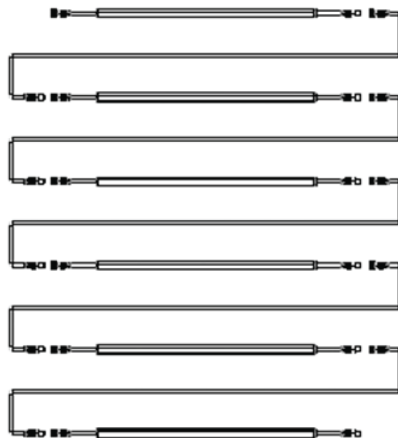
Mit dem LED-Treiber VF 650W können bis zu sieben VF90W-Geräte gleichzeitig betrieben werden. Jedes Gerät hat ein Stromeingangskabel (Stecker) und ein Stromausgangskabel (Buchse). Das Stromausgangskabel des LED-Treibers wird an das Stromeingangskabel von Gerät 1 angeschlossen. Das Stromausgangskabel von Gerät 1 wird mit dem Stromeingangskabel von Gerät 2 verbunden. Das Ausgangskabel von Gerät 2 wird mit dem Eingangskabel von Gerät 3 verbunden und so weiter, bis alle sieben Geräte angeschlossen sind.

Beispiel für einen horizontalen Verbindungsplan:



Für alternative Beleuchtungspläne und mehr Flexibilität sind Verlängerungskabel separat zu erwerben.

Beispiel für einen vertikalen Anschlussplan mit Verlängerungsanschlusskabeln:



6.5 Anschluss des LED-Gerätes an das Stromnetz

Warnung! Stellen Sie sicher, dass die Netzspannung ausgeschaltet ist.

Warnung! Stellen Sie sicher, dass das Stromversorgungskabel nicht aufgewickelt ist und keine heißen Oberflächen berührt.

Warnung! Schließen Sie die Kabel gemäß den örtlichen Vorschriften, Sicherheitsbestimmungen und elektrischen Normen an.

Warnung! Wenn Sie keine externe Lichtsteuerung verwenden, stellen Sie sicher, dass das externe Schaltgerät den Einschaltstrom des LED-Geräts bewältigen kann. Verwenden Sie immer ein Zeitschalterschütz, das zum Schalten einer kapazitiven Last geeignet ist. Verwenden Sie niemals Zeitschaltuhren zum Schalten des LED-Geräts!

Warnung! Schließen oder trennen Sie das LED-Gerät niemals unter Last.

Stellen Sie sicher, dass die selbstverriegelnde Buchse des LED-Treiber-Stromversorgungskabels korrekt auf den entsprechenden Stecker am Treiber ausgerichtet ist, und schieben Sie sie zusammen, bis sie mit einem Klick einrastet. Zum Trennen der Verbindung: Buchse gegen den Uhrzeigersinn drehen, um sie zu entriegeln, und vom Treiber.

Netzstecker an Schaltgerät/Netzgerät anschließen.

Schalten Sie die Netzspannung ein.

7. INSPEKTION, WARTUNG UND REPARATUR

Warning! Trennen Sie die LED-Leuchte vom Stromnetz, bevor Sie Wartungs- oder Reparaturarbeiten durchführen.

Warning! Schließen oder trennen Sie das LED-Gerät nicht unter Last.

Warning! Öffnen oder demontieren Sie die LED-Leuchte nicht, sie enthält keine wartungsfähigen Teile im Inneren. Das Öffnen der LED-Leuchte kann gefährlich sein und führt zum Erlöschen der Garantie.

Warning! Warten Sie immer 20 - 30 Minuten, bis sich die LED-Lichtbalken abgekühlt haben.

Vorsicht! Reinigen Sie die LED-Leuchte nicht mit Reinigungsmitteln, Scheuermitteln oder anderen aggressiven Substanzen.

Überprüfen Sie die LED-Leuchte regelmäßig auf Staub oder Schmutzablagerungen. Bei Bedarf reinigen. Verunreinigungen können zu Überhitzung und Leistungseinbußen führen.

Reinigen Sie die Außenseite des LED-Leuchten mit einem trockenen oder feuchten Tuch.

Überprüfen Sie regelmäßig die Kabel des LED-Geräts, um sicherzustellen, dass diese unbeschädigt sind.

8. LAGERUNG UND ENTSORG

Lagern Sie das LED-Gerät in einer trockenen und sauberen Umgebung bei einer Umgebungstemperatur von -25 °C bis 55 °C.

Das Produkt darf nicht als unsortierter Hausmüll entsorgt werden, sondern muss zum Zwecke der Aufbereitung, Verwertung und umweltgerechten Entsorgung separat entsorgt werden.

9. GARANTIE

Lumatek garantiert für einen Zeitraum von drei (3) Jahren ab dem ursprünglichen Kaufdatum, dass die mechanischen und elektronischen Komponenten des Produkts bei Verwendung unter normalen Betriebsbedingungen frei von Material- und Verarbeitungsfehlern sind. Weist das Produkt innerhalb dieses Zeitraums Mängel auf, die nicht auf einen Benutzerfehler oder unsachgemäßen Gebrauch zurückzuführen sind, ersetzt oder repariert Lumatek das Produkt nach eigenem Ermessen mit geeigneten neuen oder überholten Produkten oder Teilen. Falls Lumatek beschließt, das gesamte Produkt zu ersetzen, gilt diese beschränkte Garantie für das Ersatzprodukt für die verbleibende ursprüngliche Garantiezeit, d. h. drei (3) Jahre ab dem Kaufdatum des Originalprodukts. Bringen Sie das Produkt zusammen mit dem Original-Kaufbeleg zur Reparatur in Ihr Geschäft.

MANUALE LUMATEK VF90W LED FIXTURE

ITALIANO

SOMMARIO

1. **Introduzione**
2. **Descrizione del prodotto**
3. **Informazioni e specifiche del prodotto**
 - 3.1 Informazioni generali sul prodotto
 - 3.2 Specifiche tecniche
 - 3.3 Dimensioni del dispositivo
 - 3.4 Grafico di distribuzione spettrale quantistica
 - 3.5 Curva di distribuzione della luce
 - 3.6 Ambiente
 - 3.7 Legale
4. **Raccomandazioni e avvertenze di sicurezza**
5. **Contenuto**
6. **Installazione**
 - 6.1 Montaggio e installazione dell'apparecchio
 - 6.2 Collegare e scollegare il driver LED
 - 6.3 Accendere e collegare il dimmer manuale o il controller di illuminazione esterno e impostare l'intensità della luce (regolazione)
 - 6.4 Collegare gli apparecchi in serie per il controllo esterno
 - 6.5 Collegare l'apparecchio LED alla rete elettrica
7. **Ispezione, manutenzione e riparazione**
8. **Stoccaggio e smaltimento**
9. **Garanzia**

1. INTRODUZIONE

Grazie per aver acquistato l'apparecchio LED Lumatek VF90W. Questo manuale illustra come installare e utilizzare l'apparecchio LED; si prega di leggere attentamente questo manuale prima di tentare di installare o utilizzare qualsiasi sistema LED Lumatek. Se non vi sentite a vostro agio con l'installazione di sistemi di illuminazione ad alte prestazioni, si consiglia di richiedere i servizi di un professionista qualificato per l'installazione.

2. DESCRIZIONE PRODOTTO

L'apparecchio Lumatek VF90W LED è un apparecchio elettronico a LED per l'orticoltura che utilizza un design a striscia lineare con un driver LED intelligente a distanza che rende l'apparecchio controllabile dall'esterno e regolabile. L'apparecchio VF90W LED offre una luce di crescita ad alte prestazioni con un'uscita spettrale e PPF ideale per la propagazione di piantine, talee e cloni e tutte le colture target a basso PPF/D.

L'apparecchio VF90W LED utilizza tre barre luminose LED da 30W con diodi top bin bianco 4000K e bianco caldo 3000K che producono 244 $\mu\text{mol/s PPF}$ e 2,4 $\mu\text{mol/J}$ di efficacia. L'apparecchio è versatile e con le sue dimensioni di 1207 x 521 x 20,5 mm (L x P x A) può essere fissato a scaffalature per installazioni verticali di coltura o appeso in altri ambienti di coltivazione al chiuso.

L'apparecchio richiede un driver VF LED da 650W (venduto separatamente) che può essere posizionato a distanza per una maggiore flessibilità e può alimentare fino a Sette apparecchi VF90W LED contemporaneamente.

In questo manuale l'apparecchio Lumatek VF90W LED sarà indicato come: "l'apparecchio LED".

3. INFORMAZIONI E LE SPECIFICHE DEL PRODOTTO

3.1 Informazioni generali sul prodotto

NOME DEL PRODOTTO	VF90W LED fixture
CODICE PRODOTTO	LUMLED014
FABBRICANTE	Lumatek EU
EAN	5060560031802
TIPO DI SPINA	Regno Unito/EU

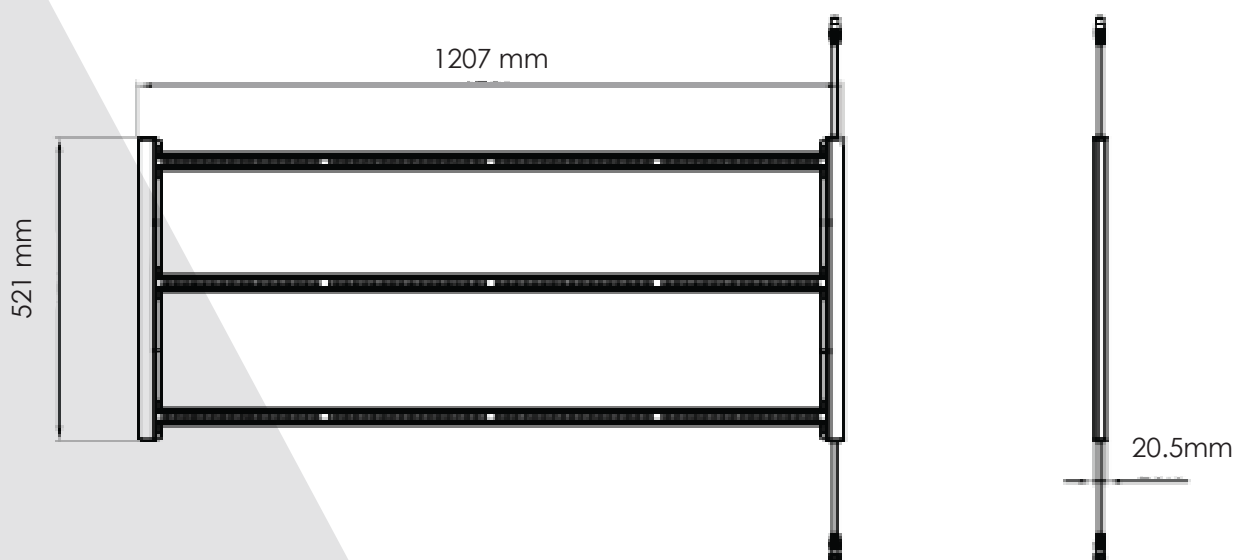
3.2 Specifiche tecniche

	1 APPARECCHIO	7 APPARECCHI
TENSIONE D'INGRESSO	220-240VAC 50/60Hz	220-240VAC 50/60Hz
POTENZA D'INGRESSO @ 230V AC (100%)	103W	680W (± 20)
CORRENTE D'INGRESSO @ 230V AC	0.45A	3.1A

PPF
EFFICACIA
SPETTRO
SORGENTE LUMINOSA
DIMENSIONE
PESO
DURATA DELLA VITA
TEMPERATURA DI FUNZIONAMENTO
UMIDITÀ DI FUNZIONAMENTO
IMPERMEABILE/ANTIPOLVERE
ANGOLO A FASCIO
REGOLATORE DI ILLUMINAZIONE DIM /ESTERNO MANUALE

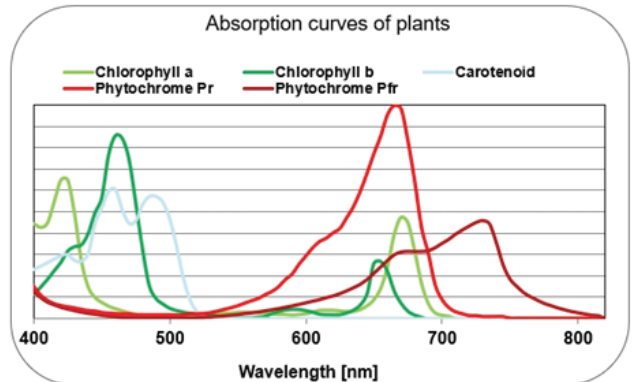
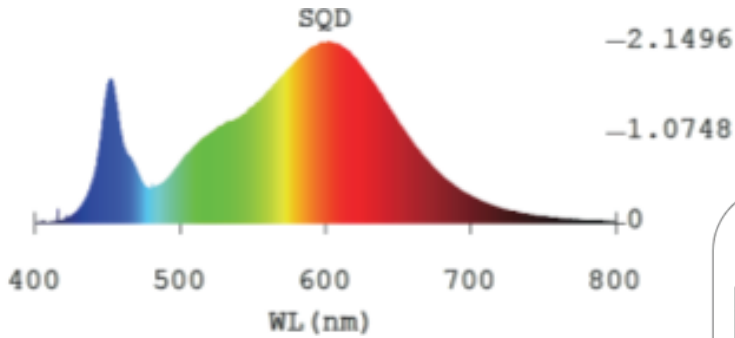
244 $\mu\text{mol/s}$
2.4 $\mu\text{mol/J}$
Spettro completo P
LED bianco e bianco caldo ad alte specifiche
1207 x 521 x 20.5mm
1.72Kg
60000H
-20° -- +40°C
20% - 90%
IP65
120°
0-10V protocollo del segnale

3.3 Dimensioni dell'apparecchio

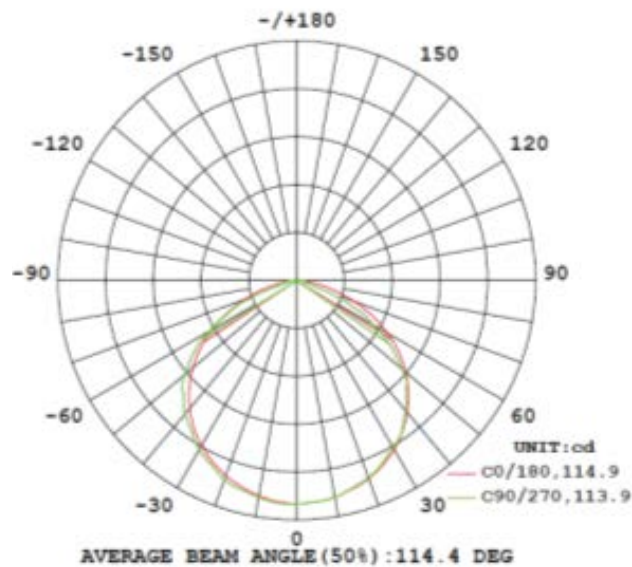


3.4 Grafico di distribuzione spettrale quantistica

Gli apparecchi VF utilizzano LED altamente efficienti e di alta qualità, di colore bianco 4000K e bianco caldo (3000K), per creare uno spettro completo ed equilibrato di luce di qualità ideale per la fotosintesi. Full Spectrum P è stato sviluppato per la propagazione di piantine, talee e cloni e tutte le colture target a basso PPFd.



3.5 Curva di distribuzione della luce



3.6 Ambiente

L'apparecchio a LED è destinato ad essere utilizzato in stanze di coltivazione a clima controllato e in aziende agricole al chiuso. Il prodotto può essere utilizzato in ambienti umidi ma non può essere utilizzato in ambienti umidi o all'aperto.

Il prodotto funzionerà a temperature ambiente da -10°C a 40°C ma funzionerà a livello ottimale tra 20°C e 30°C.

Il prodotto funzionerà in 20% - 90% di umidità, senza condensa.

3.7 Legale

Questo prodotto è certificato UKCA e CE in conformità con gli standard di test stabiliti dalle direttive LVD ed EMC.

4. RACCOMANDAZIONI E AVVERTENZE DI SICUREZZA

Attenzione! Leggere attentamente le avvertenze seguenti prima di usare o lavorare con il prodotto!

- Rispettare sempre le norme e i regolamenti locali quando si installa o si utilizza l'apparecchio LED.
- Non aprire o smontare l'apparecchio LED perché non contiene parti riparabili all'interno. L'apertura o la modifica dell'apparecchio a LED può essere pericolosa e invalida la garanzia.
- Non utilizzare l'apparecchio a LED quando l'apparecchio a LED o il suo cavo di alimentazione sono danneggiati. Sostituire il cavo di alimentazione solo con un cavo correttamente tarato.
- Modifiche ai cavi possono portare a effetti elettromagnetici indesiderati che possono rendere il prodotto non conforme ai requisiti legali.
- Non esporre il dispositivo LED a:
Umidità di condensazione, nebbia pesante o spruzzo diretto;
Temperature ambiente al di fuori dell'intervallo specificato;
Polvere e contaminazione;
Luce diretta del sole durante l'uso o HID luce che può riscaldare il driver.
- Scollegare sempre l'apparecchio LED dalla rete elettrica prima di eseguire qualsiasi manutenzione.
- Lasciare sempre per un periodo di raffreddamento di almeno 20-30 minuti prima di toccare il dispositivo a LED. Toccare l'apparecchio a LED quando l'apparecchio è acceso o immediatamente dopo può provocare ustioni!
- La convezione naturale rimuove il calore dal dissipatore di calore. Affinché il sistema possa raffreddarsi correttamente, sono necessari almeno 5 cm di spazio tra l'apparecchio e il tetto dell'area di coltivazione.
- Non utilizzare materiali abrasivi o detergenti aggressivi per pulire l'apparecchio a LED, poiché ciò potrebbe danneggiare l'ottica secondaria. Usare invece un tessuto/panno pulito, umido o asciutto.
- Non utilizzare l'apparecchio a LED vicino a sostanze infiammabili, esplosive o reattive. L'apparecchio a LED può raggiungere temperature di 40°C.
- Non utilizzare vaporizzatori di zolfo o nebulizzatori d'acqua.
- L'installazione e l'uso del dispositivo del LED è responsabilità dell'utente finale. L'uso o l'installazione non corretti possono causare guasti e danni al dispositivo a LED. Danni all'apparecchio a LED e alla circuiteria elettronica a seguito di installazione e utilizzo errati revocano la garanzia.

5. CONTENUTO

1x MANUALE
1 X VF90W
APPARECCHIO LED



6. INSTALLAZIONE

Attenzione! Il montaggio e l'installazione dell'apparecchio LED devono essere conformi alle leggi e ai regolamenti locali applicabili.

Attenzione! L'installatore è responsabile della corretta e sicura installazione.

Attenzione! Assicurarsi che il cablaggio locale possa supportare i requisiti di tensione e di corrente dell'apparecchio a LED.

Attenzione! Evitare i cavi a spirale e tenere separati i cavi di alimentazione per aiutare a prevenire le interferenze elettromagnetiche.

Attenzione! Non collegare o scollegare l'apparecchio LED sotto carico.

6.1 Montaggio e installazione dell'apparecchio

Attenzione! Montare il sistema su qualcosa che possa sostenere il peso dell'apparecchio LED.

L'apparecchio è dotato di fori di fissaggio su ogni estremità del supporto e può essere fissato direttamente alle scaffalature verticali dell'azienda o appeso con i ganci per la luce.

Fissare l'apparecchio nella posizione e all'altezza richieste.

Per prestazioni ottimali, posizionare l'apparecchio orizzontalmente a 15 cm - 40 cm dalle piante.

6.2 Collegare e scollegare il driver LED

Posizionare il driver LED (venduto separatamente) in modo appropriato assicurandosi che non sia esposto alla luce diretta del sole o HID in modo da evitare il surriscaldamento e non direttamente sul pavimento dove potrebbe venire a contatto con acqua o sostanze nutritive.

Il driver LED viene spedito con un cavo di alimentazione di 4 metri, un cavo di uscita di potenza di 1,5 metri da collegare all'apparecchio (un cavo di prolunga di 5 metri è disponibile per l'acquisto separato) e un cavo di controllo della regolazione di 25 cm per collegare il dimmer box/controller al driver.
Per collegare il driver LED all'apparecchio;

Allineare correttamente il connettore del cavo di uscita dell'alimentazione del driver con la presa di uscita del driver e spingere insieme fino a quando non si blocca con un clic.
Collegare l'altra estremità del cavo di uscita del driver al cavo di ingresso dell'apparecchio.
Per scollegare; girare il connettore twist-lock in senso antiorario per sbloccare e staccare.

6.3 Accendere e collegare il dimmer manuale o il controller di illuminazione esterno e impostare l'intensità della luce (regolazione)

Se non c'è un regolatore di luminosità o un controller collegato al driver; l'apparecchio LED si accende al 100% di potenza quando si accende la rete elettrica.

L'apparecchio può essere acceso/spento utilizzando un regolatore di luminosità con segnale 0-10V o un controller di illuminazione.

L'intensità luminosa dell'appa

recchio a LED può essere regolata senza cambiare lo spettro o perdere efficienza. Ciò significa che il PPF può essere regolato ad un livello corretto per i cicli di crescita.

Il driver LED può essere collegato a un regolatore di luminosità manuale 0-10V o a un Lumatek Control Panel Plus/regolatore di illuminazione universale (tutti venduti separatamente) per la commutazione e il controllo della luminosità.

Collegare il regolatore di luminosità o il controller di illuminazione al driver utilizzando il cavo del controller di regolazione fornito.

Assicurarsi che i connettori siano allineati correttamente e poi spingerli insieme fino a quando non si blocca con un clic. Per sbloccare: girare il twist-lock in senso antiorario e staccare.

L'intensità della luce (livello PPF) può essere regolata in un intervallo compreso tra il 20% e il 100% dell'emissione luminosa.

6.4 Collegamento e alimentazione di più apparecchi in serie

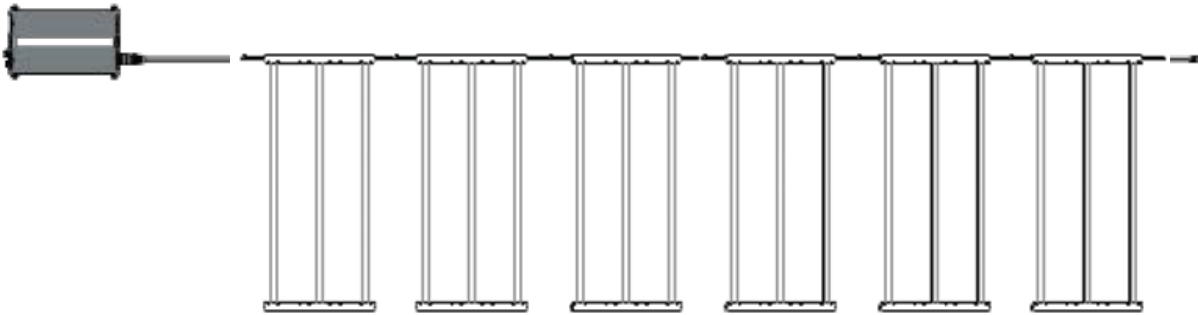
Il driver LED VF 650W può essere utilizzato per alimentare contemporaneamente fino a Sette apparecchi VF90W. Ogni apparecchio ha un cavo di alimentazione in ingresso (connettore maschio) e un cavo di alimentazione in uscita (connettore femmina).

Il cavo di alimentazione in uscita del driver LED è collegato al cavo di ingresso dell'apparecchio1.

Il cavo di alimentazione in uscita dell'apparecchio1 è collegato al cavo di alimentazione in ingresso dell'apparecchio2.

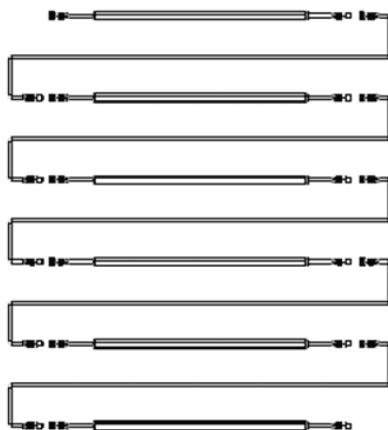
Il cavo di alimentazione in uscita dell'apparecchio2 è collegato al cavo di alimentazione in ingresso dell'apparecchio3 e così via fino a quando tutti e Sette gli apparecchi sono collegati.

Esempio di schema di connessione orizzontale:



Per realizzare piani di illuminazione alternativi ed ottenere una maggiore flessibilità, sono disponibili cavi prolunga di collegamento da acquistare separatamente.

Esempio di piano di collegamento verticale con cavi prolunga:



6.5 Collegamento dell'apparecchio LED alla rete elettrica

Attenzione! Assicurarsi che l'alimentazione di rete sia spenta.

Attenzione! Assicurarsi che il cavo di alimentazione non sia arrotolato e non tocchi superfici calde.

Attenzione! Collegare i cavi secondo le regole locali, le norme di sicurezza e il codice elettrico.

Attenzione! Se non si utilizza un controller di illuminazione esterno, assicurarsi che l'attrezzatura di commutazione esterna possa far fronte alla corrente di spunto dell'apparecchio LED. Utilizzare sempre un contattore temporizzato adatto a commutare un carico capacitivo. Non usare mai i timer domestici per accendere l'apparecchio LED!

Avvertimento! Non collegare o scollegare l'apparecchio a LED sotto carico.

Assicurarsi che il connettore femmina autobloccante del cavo di alimentazione del conduttore del LED sia correttamente allineato al corrispondente connettore maschio del conduttore e spingere insieme fino a quando non si blocca con un clic. Per scollegare; girare il connettore femmina in senso antiorario per sbloccarlo e staccarlo dal conduttore.

Collegare la spina di alimentazione di rete all'alimentatore / alimentatore di commutazione.

Accendere l'alimentazione di rete.

7. ISPEZIONE, MANUTENZIONE E RIPARAZIONE

Avvertimento! Scollegare l'apparecchio dalla rete LED prima di eseguire qualsiasi intervento di manutenzione o riparazione.

Avvertimento! Non collegare o scollegare l'apparecchio a LED sotto carico.

Avvertimento! Non aprire o smontare l'apparecchio a LED, non contiene parti riparabili. L'apertura del dispositivo a LED può essere pericoloso e invalidare la garanzia.

Avvertimento! Attendere sempre 20 - 30 minuti per consentire alle barre luminose a LED di raffreddarsi.

Attenzione! Non pulire l'apparecchio a LED con detergenti, abrasivi o altre sostanze aggressive.

Controllare regolarmente l'apparecchio a LED per verificare che non vi siano accumuli di polvere o sporcizia. Pulire se necessario. La contaminazione può causare surriscaldamento e riduzione delle prestazioni. Pulire l'esterno dell'apparecchio a LED con un panno asciutto o umido.

Controllare regolarmente i cavi del dispositivo a LED per assicurarsi che non sia danneggiato.

8. CONSERVAZIONE E SMALTIMENTO

Conservare l'apparecchio a LED in un ambiente asciutto e pulito, con una temperatura ambiente compresa tra -25°C e 55°C.

Il prodotto non deve essere scartato come rifiuto urbano non differenziato, ma deve essere raccolto separatamente ai fini del trattamento, del recupero e dello smaltimento ecocompatibile.

9. GARANZIA

Lumatek garantisce che i componenti meccanici ed elettronici del proprio prodotto sono privi di difetti a livello di materiale e di lavorazione se utilizzati in condizioni operative normali per un periodo di tre (3) anni dalla data originale di acquisto. Se il prodotto presenta dei difetti entro questo periodo e il difetto non è dovuto a un errore dell'utente o a un uso improprio, Lumatek sostituirà o riparerà il prodotto, a sua discrezione, utilizzando prodotti o parti nuove o ricondizionate adeguate. Nel caso in cui Lumatek decida di sostituire l'intero prodotto, la presente garanzia limitata si applicherà al prodotto sostitutivo per il restante periodo di garanzia iniziale, vale a dire tre (3) anni dalla data di acquisto del prodotto originale. Per l'assistenza; restituire il prodotto al negozio con la ricevuta di acquisto originale.

MANUEL LUMATEK VF90W LED FIXTURE

FRANÇAIS

TABLE DES MATIÈRES

1. **Introduction**
2. **Description du produit**
3. **Informations et spécifications sur le produit**
 - 3.1 Informations générales sur le produit
 - 3.2 Spécifications techniques
 - 3.3 Dimensions du luminaire
 - 3.4 Graphique de distribution quantique spectrale
 - 3.5 Courbe de distribution de la lumière
 - 3.6 Environnement
 - 3.7 Informations légales
4. **Recommandations de sécurité et avertissements**
5. **Contenu**
6. **Installation**
 - 6.1 Montage et installation du luminaire
 - 6.2 Connecter et déconnecter le transformateur LED
 - 6.3 Allumer et connecter le variateur manuel ou le contrôleur d'éclairage externe et régler l'intensité lumineuse (variation)
 - 6.4 Connexion de plusieurs luminaires en série pour le contrôle externe
 - 6.5 Raccordement du luminaire à LED au secteur
7. **Inspection, entretien et réparation**
8. **Stockage et élimination**
9. **garantie**

1. INTRODUCTION

Nous vous remercions d'avoir acheté le luminaire à LED VF90W de Lumatek. Ce manuel décrit la façon d'installer et d'utiliser le luminaire LED. Veuillez lire attentivement ce manuel avant d'essayer d'installer ou d'utiliser tout système LED Lumatek. Si vous n'êtes pas à l'aise avec l'installation de systèmes d'éclairage à haute performance, vous devriez faire appel aux services d'un professionnel de l'installation qualifié.

2. DESCRIPTION DU PRODUIT

Le luminaire à LED VF90W de Lumatek est un luminaire électronique pour l'horticulture qui utilise un design de bande linéaire avec un transformateur LED à distance intelligent rendant le luminaire contrôlable et variable de l'extérieur. Le luminaire à LED VF90W est une lampe de culture de haute performance avec une sortie spectrale et PPF idéale pour la propagation des semis, des boutures et des clones et toutes les cultures cibles à faible PPF.

Le luminaire à LED VF90W utilise trois barres lumineuses à LED de 30W avec des diodes blanches 4000K et blanches chaudes 3000K produisant 244 $\mu\text{mol/s PPF}$ et 2,4 $\mu\text{mol/J}$ d'efficacité. Le luminaire est polyvalent et, avec ses dimensions de 1207 x 521 x 20,5 mm (L x l x h), il peut être fixé à un rayonnage pour des applications d'agriculture verticale ou suspendu dans d'autres environnements de culture intérieure.

Le luminaire nécessite un transformateur LED VF 650W (vendu séparément) qui peut être positionné à distance pour une plus grande flexibilité et peut alimenter jusqu'à sept luminaires LED VF90W simultanément.

Dans ce manuel, le luminaire à LED Lumatek VF90W sera désigné par : "le luminaire à LED".

3. INFORMATIONS ET SPÉCIFICATIONS SUR LE PRODUIT

3.1 Informations générales sur le produit

NOM DU PRODUIT	VF90W LED fixture
CODE PRODUIT	LUMLED014
FABRICANT	Lumatek EU
EAN	5060560031802
TYPE DE PRISE	UK/EU

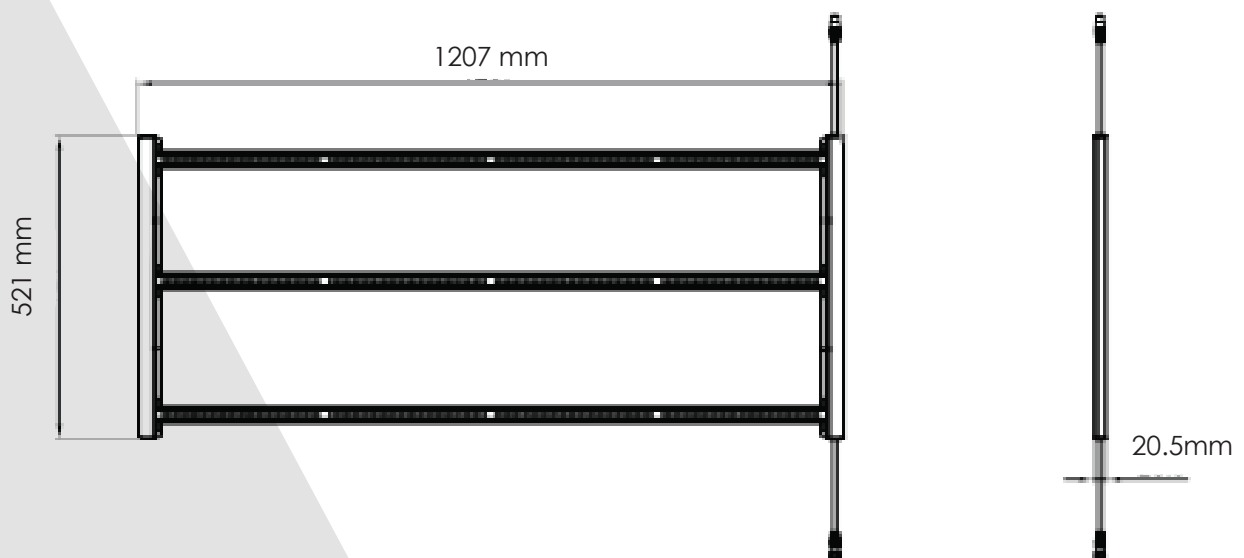
3.2 Spécifications techniques

	1 LUMINAIRE	7 LUMINAIRES
TENSION D'ENTRÉE	220-240VAC 50/60Hz	220-240VAC 50/60Hz
PUISSANCE D'ENTRÉE @ 230V AC (100%)	103W	680W (± 20)
PUISSANCE D'ENTRÉE @ 230V AC (100%)	0.45A	3.1A

PPF
EFFICACITÉ
SPECTRE
SOURCE DE LUMIÈRE
DIMENSIONS
POIDS
DURÉE DE VIE
TEMPÉRATURE DE FONCTIONNEMENT
TAUX D'HUMIDITÉ ACCEPTÉ
RÉSISTANCE À L'EAU/POUSSIÈRE
ANGLE DU FAISCEAU
VARIATION MANUELLE/ CONTRÔLEUR D'ÉCLAIRAGE EXTERNE

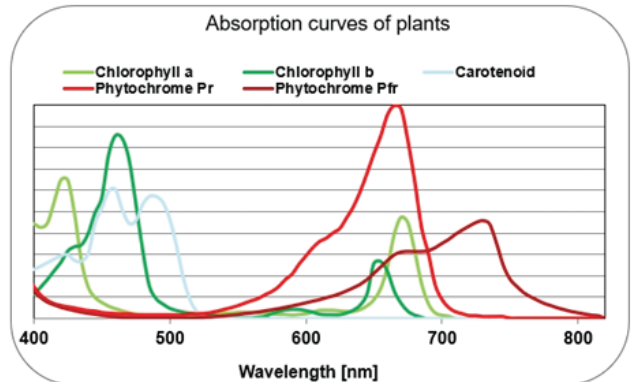
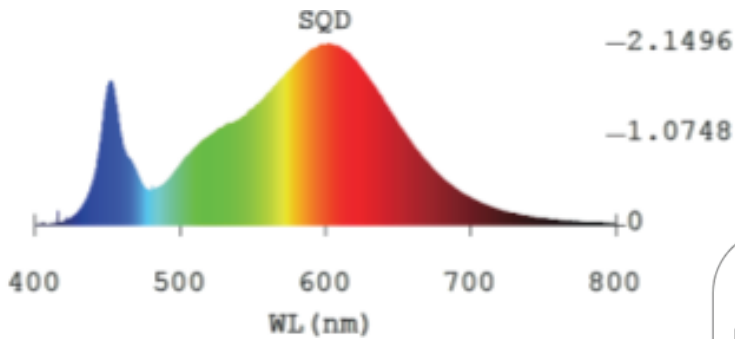
244 $\mu\text{mol/s}$
2.4 $\mu\text{mol/J}$
Spectre complet
LED blanc et blanc chaud de haute qualité
1207 x 521 x 20.5mm
1.72Kg
60000H
-20° -- +40°C
20% - 90%
IP65
120°
Protocole de signal 0-10V

3.3 Dimensions du luminaire

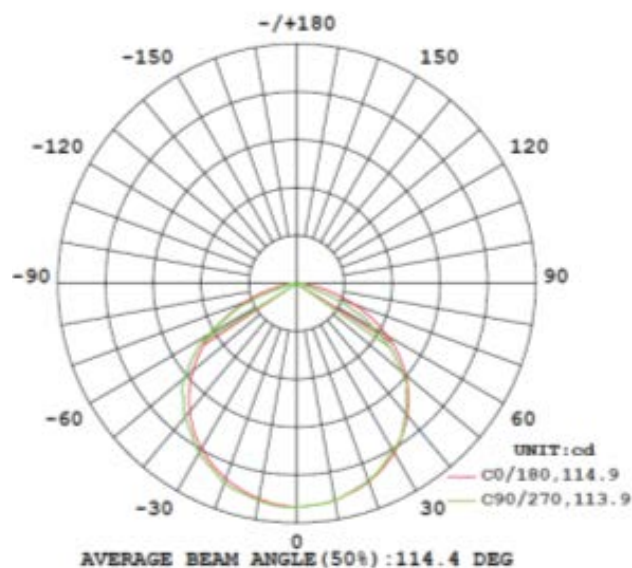


3.4 Graphique de distribution quantique spectrale

Les luminaires VF utilisent des LED de haute qualité et très efficaces de couleur blanche 4000K et blanche chaude (3000K) pour créer un spectre complet et équilibré de lumière de qualité idéal pour la photosynthèse. Full Spectrum P a été développé pour la propagation des semis, des boutures et des clones et de toutes les cultures cibles à faible PPFD.



3.5 Courbe de distribution de la lumière



3.6 Environnement

Le luminaire à LED est destiné à être utilisé dans des salles de culture et des fermes intérieures à climat contrôlé. Le produit peut être utilisé dans des environnements humides mais ne peut pas être utilisé dans des environnements mouillés ou à l'extérieur.

Le produit fonctionnera à des températures ambiantes allant de -10°C à 40°C mais fonctionnera de manière optimale entre 20°C et 30°C.

Le produit fonctionnera dans un taux d'humidité de 20% à 90%, sans condensation.

3.7 Informations légales

Ce produit est certifié UKCA et CE et conforme aux normes de test des directives LVD et EMC.

4. RECOMMANDATIONS DE SÉCURITÉ ET AVERTISSEMENTS

Avertissement ! Lisez attentivement les avertissements ci-dessous avant d'utiliser ou de travailler avec le produit !

- Respectez toujours les règles et réglementations locales lors de l'installation ou de l'utilisation du luminaire à LED.
- N'ouvrez pas ou ne démontez pas le luminaire à LED car il ne contient aucune pièce réparable. Ouvrir ou modifier le luminaire à LED peut être dangereux et annule la garantie.
- N'utilisez pas le luminaire à LED si le luminaire à LED ou son câble d'alimentation sont endommagés. Remplacez le câble d'alimentation uniquement par un câble de valeur nominale correcte.
- Les modifications apportées aux câbles peuvent entraîner des effets électromagnétiques indésirables qui peuvent rendre le produit non conforme aux exigences légales.
- N'exposez pas le luminaire à LED à :
De l'humidité condensée, brume épaisse ou pulvérisation directe ;
Des températures ambiantes en dehors de la plage spécifiée ;
De la poussière et de la pollution ;
- La lumière directe du soleil pendant l'utilisation ou de la lumière HID qui pourraient conduire à la surchauffe du transformateur.
- Débranchez toujours le luminaire à LED du secteur avant d'effectuer tout entretien.
- Laissez toujours refroidir l'appareil pendant au moins 20 à 30 minutes avant de le toucher. Si vous touchez le luminaire à LED lorsqu'il est allumé ou immédiatement après, vous risquez de vous brûler !
- La convection naturelle évacue la chaleur du dissipateur. Pour que le système puisse se refroidir correctement, un espace d'au moins 5 cm est nécessaire entre l'appareil et le toit de votre espace de culture.
- N'utilisez pas de matériaux abrasifs ou de produits de nettoyage agressifs pour nettoyer le luminaire à LED car cela pourrait endommager l'optique secondaire. Utilisez plutôt un tissu/chiffon propre, humide ou sec.
- N'utilisez pas le luminaire à LED à proximité de substances inflammables, explosives ou réactives. Le luminaire à LED peut atteindre des températures de 40°C.
- Ne pas utiliser de vaporisateurs de soufre ou de brumisateurs d'eau.
- L'installation et l'utilisation du luminaire à LED sont de la responsabilité de l'utilisateur final. Une utilisation ou une installation incorrecte peut entraîner une panne et endommager le luminaire à LED. Tout dommage au luminaire à LED et aux circuits électroniques résultant d'une installation ou d'une utilisation incorrecte annule la

5. CONTENU

1x USER MANUEL

**1 X LUMINAIRE
À LED VF90W**



6. INSTALLATION

Avertissement ! Le montage et l'installation du luminaire à LED doivent être conformes aux lois et réglementations locales en vigueur.

Avertissement ! L'installateur est responsable d'une installation correcte et sécurisée.

Avertissement ! Assurez-vous que le câblage local peut supporter les exigences de tension et de courant du luminaire à LED.

Avertissement ! Évitez les câbles en spirale et gardez les fils d'alimentation séparés pour contribuer à l'évitement des interférences électromagnétiques.

Avertissement ! Ne pas connecter ou déconnecter le luminaire à LED sous tension.

6.1 Montage et installation du luminaire

Attention ! Montez le système sur quelque chose qui peut supporter le poids du luminaire à LED.

Le luminaire est doté de trous de fixation à chaque extrémité du cadre et peut être fixé directement aux rayonnages agricoles verticaux ou suspendu à l'aide de suspensions légères.

Fixez l'appareil dans la position et à la hauteur requises.

Pour une performance optimale, placez le luminaire horizontalement à une distance de 15 à 40 cm des plantes.

6.2 Connecter et déconnecter le transformateur LED

Placez le transformateur LED (vendu séparément) de manière appropriée en veillant à ce qu'il ne soit pas directement exposé au soleil ou à la lumière HID afin d'éviter toute surchauffe et qu'il ne soit pas directement sur le sol où il pourrait entrer en contact avec de l'eau ou des nutriments.

Le transformateur LED est livré avec un câble d'alimentation de 4 m, un câble de sortie de 1,5 m à connecter au luminaire (un câble de rallonge de 5 m peut être acheté séparément) et un câble de commande de variation de 25 cm pour connecter le boîtier de variation/contrôleur au transformateur.
Pour connecter le transformateur LED à l'appareil ;

Alignez correctement le connecteur du câble de sortie d'alimentation du conducteur avec la prise de sortie du conducteur et poussez-le jusqu'à ce qu'il soit verrouillé par un clic.
Connectez l'autre extrémité du câble de sortie du conducteur au câble d'entrée de l'appareil.
Pour le déconnecter, tournez le connecteur à verrouillage rotatif dans le sens inverse des aiguilles d'une montre pour le déverrouiller et le séparer.

6.3 Allumer et connecter le variateur manuel ou le contrôleur d'éclairage externe et régler l'intensité lumineuse (variation)

S'il n'y a pas de variateur ou de contrôleur connecté au transformateur, le luminaire LED s'allumera à 100% de sa puissance lors de la mise sous tension.

Le luminaire peut être allumé ou éteint à l'aide d'un variateur de lumière à signal 0-10V ou d'un contrôleur d'éclairage.

L'intensité lumineuse de l'appareil à LED peut être ajustée sans modifier le spectre ni perdre en efficacité. Cela signifie que le PPF peut être ajusté au niveau correct pour les cycles de croissance.
Le transformateur LED peut être connecté à un contrôleur de variation manuel 0-10V ou à un panneau de contrôle Plus/universel de Lumatek (tous vendus séparément) pour le contrôle de la commutation et de la variation.

Connectez la boîte de variation ou le contrôleur d'éclairage au transformateur à l'aide du câble de contrôleur de variation fourni.

Assurez-vous que les connecteurs sont correctement alignés, puis poussez-les l'un vers l'autre jusqu'à ce qu'ils soient verrouillés par un clic. Pour les libérer : tournez le verrou tournant dans le sens inverse des aiguilles d'une montre et séparez-les.

L'intensité lumineuse (niveau PPF) peut être réglée entre 20 % et 100 %.

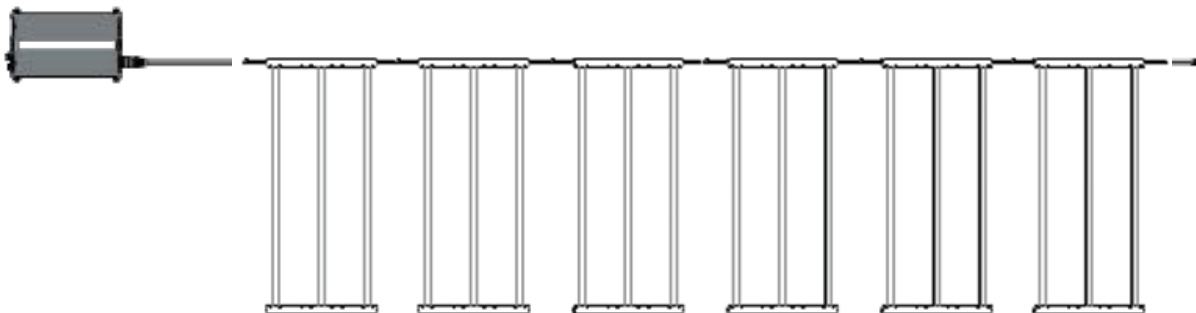
6.4 Connexion et alimentation de plusieurs luminaires en série

Le transformateur LED VF 650W peut être utilisé pour alimenter jusqu'à sept luminaires VF90W simultanément. Chaque appareil dispose d'un câble d'entrée d'alimentation (connecteur mâle) et d'un câble de sortie d'alimentation (connecteur femelle).

Le câble de sortie d'alimentation du transformateur LED est connecté au câble d'entrée d'alimentation du luminaire 1.

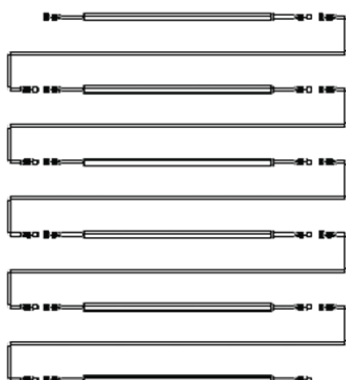
Le câble de sortie d'alimentation du Luminaire 1 est connecté au câble d'entrée d'alimentation du Luminaire 2. Le câble de sortie d'alimentation du Luminaire 2 est connecté au câble d'entrée d'alimentation du Luminaire 3 et ainsi de suite jusqu'à ce que les sept luminaires soient connectés.

Exemple de plan de raccordement horizontal :



Pour des plans d'éclairage alternatifs et une plus grande flexibilité, des câbles de connexion d'extension sont disponibles à l'achat séparément.

Exemple de plan de raccordement vertical avec des câbles de raccordement d'extension :



6.5 Raccordement du luminaire à LED au secteur

Avertissement ! Assurez-vous que l'alimentation secteur est coupée.

Avertissement ! Assurez-vous que le câble d'alimentation n'est pas enroulé et qu'il ne touche pas de surfaces chaudes.

Avertissement ! Connectez les câbles conformément aux règles locales, aux règlements de sécurité et au code électrique.

Attention ! Si vous n'utilisez pas de contrôleur d'éclairage externe, assurez-vous que le dispositif de commutation externe peut supporter le courant d'arrivée du luminaire à LED. Utilisez toujours un contacteur temporisé adapté à la commutation d'une charge capacitive. N'utilisez jamais de minuteur domestique pour allumer le luminaire à LED !

Attention ! Ne connectez ou déconnectez pas la lampe LED sous tension.

Assurez-vous que le connecteur femelle autobloquant du câble d'alimentation du pilote LED est correctement aligné sur le connecteur mâle correspondant du pilote et poussez jusqu'à ce qu'il soit verrouillé.

Branchez la fiche d'alimentation secteur sur l'appareil de commutation/l'alimentation électrique.

Mettez l'appareil sous tension.

7. INSPECTION, MAINTENANCE ET RÉPARATION

Attention ! Déconnectez les 4 lampes LED de l'alimentation avant d'effectuer toute maintenance ou réparation.

Attention ! Ne connectez ou déconnectez pas la lampe LED sous tension.

Attention ! N'ouvrez pas et ne démontez pas la lampe LED car elle contient des pièces non remplaçables à l'intérieur. L'ouverture ou la modification de la lampe LED peut être dangereux et révoquera sa garantie.

Attention ! Attendez toujours entre 20 et 30 minutes afin que les barres lumineuses LED refroidissent.

Avertissement ! Ne nettoyez pas la lampe LED avec des détergents, produits abrasifs ou toute autre substance agressive.

Vérifiez régulièrement qu'il n'y est pas d'accumulation de poussière ou de saletés sur la lampe LED. Nettoyez-la si nécessaire. La pollution peut causer la surchauffe et une baisse de performances. Nettoyez l'extérieur de la lampe LED à l'aide d'un chiffon sec ou humide.

Vérifiez régulièrement que les câbles de la lampe LED ne soient pas endommagés.

8. STOCKAGE ET DISPOSITION

Stockez le luminaire LED dans un environnement sec et propre, avec une température ambiante de -25°C à 55°C.

Le produit ne doit pas être jeté comme un déchet municipal non trié, mais doit être collecté séparément à des fins de traitement, de récupération et d'élimination écologiquement propre.

9. GARANTIE

Lumatek garantit que les composants mécaniques et électroniques de son produit sont exempts de défauts de matériaux et de fabrication s'ils sont utilisés dans des conditions normales d'exploitation pendant une période de trois (3) ans à compter de la date d'achat originale. Si le produit présente des défauts pendant cette période et que ces défauts ne sont pas dus à une erreur de l'utilisateur ou à une utilisation incorrecte, Lumatek remplacera ou réparera, à sa discrétion, le produit en utilisant des produits ou des pièces neufs ou reconditionnés. Dans le cas où Lumatek décide de remplacer l'ensemble du produit, cette garantie limitée s'appliquera au produit de remplacement pour la période de garantie initiale restante, c'est-à-dire trois (3) ans à compter de la date d'achat du produit original. Pour ce service, retournez le produit à votre magasin avec le reçu d'achat original.

LUMATEK VF90W LED FIXTURE MANUÁL

ČEŠTINA

OBSAH

- 1. Úvod**
- 2. Popis produktu**
- 3. Informace o produktu a technické údaje**
 - 3.1 Obecné informace o produktu
 - 3.2 Technické specifikace
 - 3.3 Rozměry svítidla
 - 3.4 Spektrální kvantový graf distribuce
 - 3.5 Křivka rozložení světla
 - 3.6 Prostředí
 - 3.7 Právní
- 4. Bezpečnostní doporučení a varování**
- 5. Obsah**
- 6. Instalace**
 - 6.1 Montáž a instalace svítidla
 - 6.2 Připojení a odpojení LED trafa
 - 6.3 Přepínání a připojení ručního stmívače nebo externího ovladače osvětlení a nastavení intenzity světla (stmívání)
 - 6.4 Sériové zapojení zařízení pro externí ovládání
 - 6.5 Připojení LED svítidla k elektrické síti
- 7. Inspekce, údržba a opravy**
- 8. Skladování a likvidace**
- 9. Záruka**

1. ÚVOD

Děkujeme, že jste si zakoupili LED svítidlo Lumatek VF90W. Tenhle návod popisuje, jak nainstalovat a používat LED svítidlo; Před instalací nebo provozováním jakéhokoli systému Lumatek LED si prosím důkladně přečtěte tuto příručku. Pokud si na instalaci vysoce výkonných osvětlovacích systémů netroufáte, měli byste vyhledat služby kvalifikovaného instalatéra

2. POPIS PRODUKTU

LED svítidlo Lumatek VF90W je elektronické pěstitelské LED svítidlo využívající lineární pásový design s inteligentním dálkovým LED trafem, díky kterému je svítidlo externě ovladatelné a stmívatelné. LED svítidlo VF90W je vysoce výkonné pěstitelské svítidlo s ideálním spektrálním a PPF výkonem pro množení sazenic, odřezků a klonů a všech cílových plodin s nízkým PPFd.

LED svítidlo VF90W využívá tři 30W LED světelné lišty s 4000K bílou a 3000K teplou bílou horní diodou produkující 244 $\mu\text{mol/s PPF}$ a účinnost 2,4 $\mu\text{mol/J}$. Svítidlo je univerzální a při rozměrech 1207 x 521 x 20,5 mm (D x Š x V) jej lze připevnit k regálu pro vertikální pěstitelské využití nebo zavěšeno v jiném pěstebním prostředí.

Svítidlo 650W VF si vyžaduje LED trafo (prodáváno samostatně), který lze pro větší flexibilitu umístit na dálku a současně napájet až sedm LED svítidel VF90W.

V této příručce bude LED svítidlo Lumatek VF90W označováno jako: „LED svítidlo“.

3. INFORMACE O PRODUKTU A SPECIFIKACE

3.1 Obecné produktové informace

JMÉNO PRODUKTU	VF90W LED fixture
KÓD PRODUKTU	LUMLED014
VÝROBCE	Lumatek EU
EAN	5060560031802
TYP ZÁSTRČKY	UK/EU

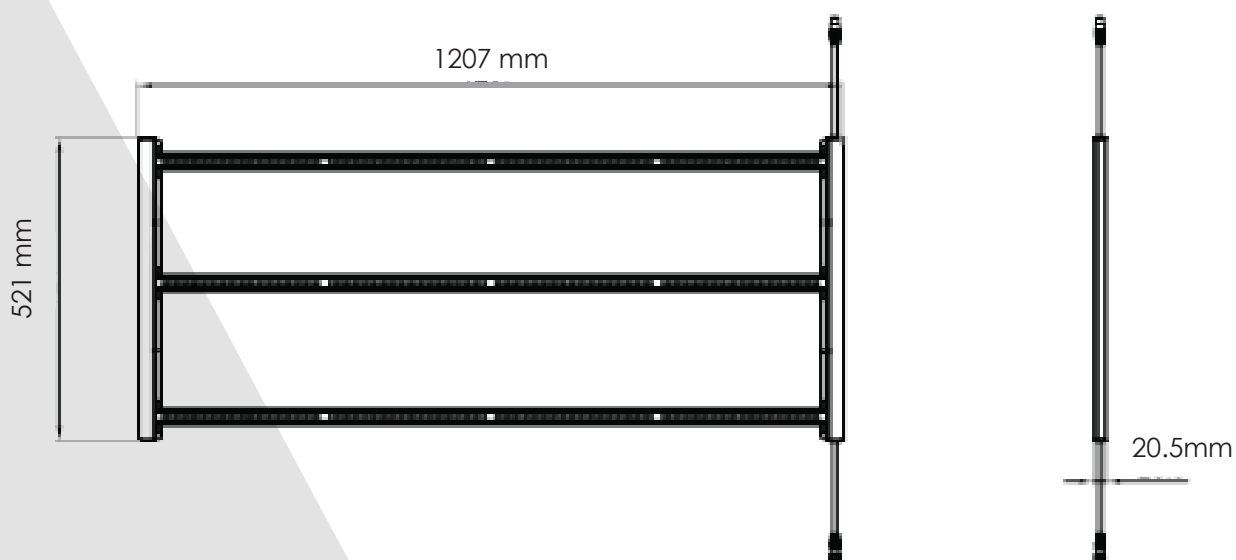
3.2 Technické specifikace

	1 SVÍTIDLO	7 SVÍTIDEL
VSTUPNÍ NAPĚTÍ	220-240VAC 50/60Hz	220-240VAC 50/60Hz
VSTUPNÍ VÝKON PŘI 230 V AC (100%)	103W	680W (± 20)
VSTUPNÍ PROUD PŘI 230 V AC	0.45A	3.1A

PPF
ÚČINNOST
SPEKTRUM
ZDROJ SVĚTLA
ROZMĚRY
HMOTNOST
ŽIVOTNOST
PRACOVNÍ TEPLOTA
PRACOVNÍ VLHKOST
VODOTĚSNOST/ PRACHOTĚSNOST
ÚHEL PAPRSKU
MANUÁLNÍ OVLADAČ STMÍVÁNÍ / EXTERNÍHO OSVĚTLENÍ

244 $\mu\text{mol/s}$
2.4 $\mu\text{mol/J}$
Celé spectrum P
Vysoce kvalitní bílá a teplá bílá LED
1207 x 521 x 20.5mm
1.72Kg
60000H
-20° -- +40°C
20% - 90%
IP65
120°
0-10V signální protokol

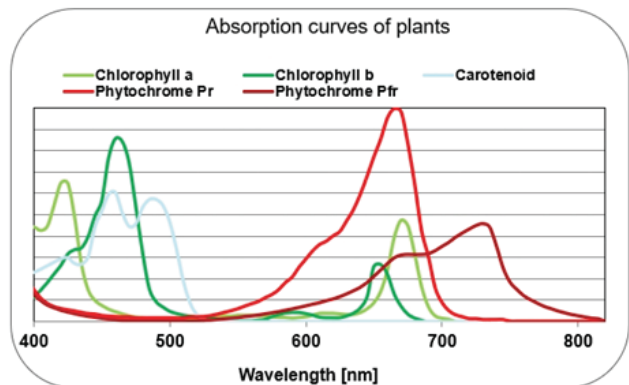
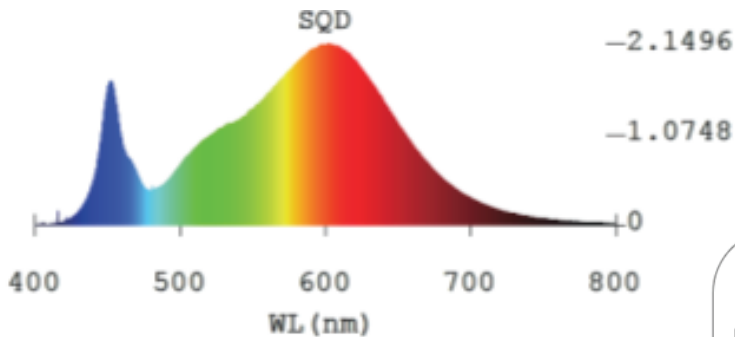
3.3 Rozměry zařízení



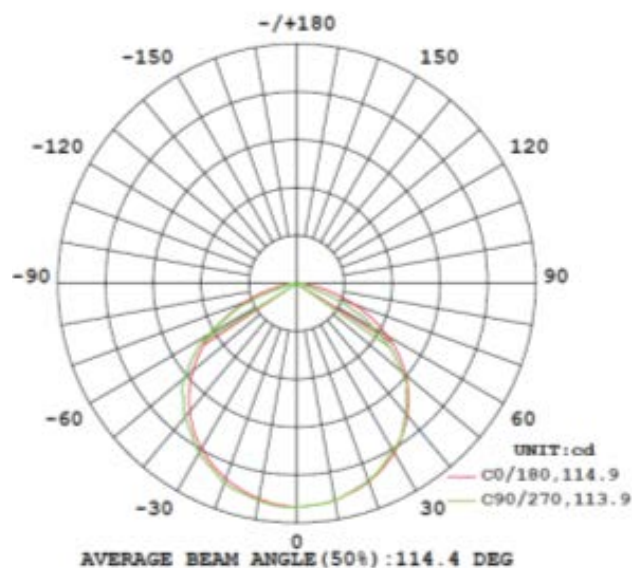
3.4 Spektrální distribuce kvantového grafu

Svítilna VF používají vysoce účinné bílé 4000K LED diody a teplé bílé (3000K) v horním koši k vytvoření úplného a vyváženého spektra kvalitního světla ideálního pro fotosyntézu.

Plné P spektrum bylo vyvinuto pro množení sazenic, odřezků a klonů a všech cílových plodin s nízkým PPF.



3.5 Křivka rozložení světla



3.6 Prostředí

LED svítidlo je určeno k použití v klimaticky řízených pěstírnách a vnitřních farmách. Produkt může být používán ve vlhkém prostředí, ale nesmí být používán v mokřem prostředí nebo venku.

Produkt bude fungovat při teplotách okolí od -10 ° C do 40 ° C, ale bude fungovat na optimální úrovni mezi 20 ° C až 30 ° C.

Produkt bude fungovat při 20% - 90% vlhkosti bez kondenzace.

3.7 Právní

Tento výrobek je certifikován podle UKCA a CE a vyhovuje testovacím normám směrnice LVD a EMC.

4. BEZPEČNOSTNÍ DOPORUČENÍ A VAROVÁNÍ

Varování! Před použitím nebo prací s výrobkem si pozorně přečtěte níže uvedená varování!

- Při instalaci nebo používání LED svítidla vždy dodržujte místní pravidla a předpisy.
- Neotvírejte ani nerozebírejte LED svítidlo. Uvnitř neobsahuje žádné opravitelné součásti. Otevření nebo úprava LED svítidla může být nebezpečné a ruší záruku.
- Nepoužívejte LED zařízení, pokud je LED zařízení poškozeno nebo pokud je poškozen jeho napájecí kabel. Vyměňte napájecí kabel pouze za správně dimenzovaný kabel.
- Úpravy kabelů mohou vést k nežádoucím elektromagnetickým účinkům, které mohou způsobit, že produkt nebude splňovat zákonné požadavky.
- Nevystavujte svítidlo LED:
Kondenzující vlhkosti, husté mlze nebo přímému postřiku;
Okolní teploty mimo stanovený rozsah;
Prach a znečištění;
Přímé sluneční světlo během používání nebo HID světlo, které může zahřát zdroj.
- Před prováděním jakékoli údržby vždy odpojte LED zařízení od sítě.
- Než se LED zařízení dotknete, nechte zařízení vždy alespoň 20 - 30 minut vychladnout. Dotknutí se LED zařízení, když je zařízení zapnuté, nebo bezprostředně poté, může způsobit popáleniny!
- Přirozená konvekce odvádí teplo od chladiče. Aby se systém dostatečně chladil, je zapotřebí alespoň 5 cm prostoru mezi přípravkem a střeou vaší pěstiny.
- K čištění LED svítidla nepoužívejte abrazivní materiály ani agresivní čisticí prostředky, protože by mohlo dojít k poškození sekundární optiky. Místo toho použijte čistou vlhkou nebo suchou látku/hadřík.
- Nepoužívejte LED svítidlo v blízkosti hořlavých, výbušných nebo reaktivních látek. LED svítidlo může dosáhnout teploty 40 ° C.
- Nepoužívejte sirmé odpařovače ani vodní mlhy.
- Za instalaci a používání LED svítidla odpovídá konečný uživatel. Nesprávné použití nebo instalace může vést k poruše a poškození LED svítidla. Poškození LED svítidla a elektronických obvodů v důsledku nesprávné instalace a použití ruší záruku.

5. OBSAH

1x MANUÁL
1 X LED SVÍTIDLO
VF90W



6. INSTALACE

Varování! Montáž a instalace LED svítidla musí být v souladu s příslušnými místními zákony a předpisy.

Varování! Instalační technik odpovídá za správnou a bezpečnou instalaci.

Varování! Zajistěte, aby místní kabeláž mohla podporovat požadavky na napětí a proud LED svítidla.

Varování! Vyvarujte se stočených kabelů a udržujte napájecí kabely odděleně. Zabráníte elektromagnetickému rušení.

Varování! Nepřipojujte ani neodpojujte LED svítidlo pod zátěží.

6.1 Montáž a instalace svítidla

Varování! Namontujte systém na něco, co unese hmotnost LED svítidla

Svítidlo má upevňovací otvory na koncích rámu a lze jej připevnit přímo na svislé pěstitelské regály nebo zavěsit pomocí závěsů na světlo.

Svítidlo zajistěte v požadované poloze a výšce.

Pro optimální výkon umístěte zařízení vodorovně ve vzdálenosti 15 cm - 40 cm od rostlin.

6.2 Připojení a odpojení LED trafo

Umístěte LED trafo (prodáváno samostatně) tak, aby nebylo na přímém slunci nebo HID světle, aby se předešlo přehřátí, a ne přímo na podlahu, kde by mohlo přijít do styku s vodou nebo živinami.

LED trafo je dodáváno s napájecím kabelem o délce 4 m, výstupním kabelem 1,5 m pro připojení k zařízení (prodlužovací kabel 5 m lze zakoupit samostatně) a stmívacím ovládacím kabelem o délce 25 cm pro připojení stmívače/ovladače k trafu.
Připojení LED trafo k svítidlu;

Správně zarovnejte konektor OUTPUT kabelu napájení ovladače s výstupem trafo a zatlačte je k sobě, dokud nezacvaknou.

Připojte druhý konec výstupního kabelu ovladače ke vstupnímu kabelu zařízení.
Odpojení: Otočením konektoru proti směru hodinových ručiček jej odemknete a vytáhnete.

6.3 Přepínání a připojení ručního stmívače nebo externího ovladače osvětlení a nastavení intenzity světla (stmívání)

Pokud není k ovladači připojen žádný stmívač nebo ovladač; LED svítidlo se ZAPNE v 100% výkonu, když se zapne napájení ze sítě.

Svítidlo lze zapnout/vypnout pomocí stmívače signálu 0-10 V nebo ovladače osvětlení.

Intenzitu světla LED svítidla lze upravit bez změny spektra nebo ztráty účinnosti. To znamená, že PPF lze upravit na správnou úroveň pro růstové cykly.

LED ovladač lze připojit k ovládání stmívání 0-10 V nebo k Lumatek Control Panel Plus/univerzálnímu ovladači osvětlení (prodáváno samostatně) pro ovládání přepínání a stmívání.

Připojte stmívací skříňku nebo ovladač osvětlení k trafu pomocí dodaného kabelu ovladače pro stmívání. Zajistěte správné zarovnání konektorů a poté je zatlačte k sobě, dokud nezaklapnou. Odpojení: otočte pojistkou proti směru hodinových ručiček a vytáhněte.

Intenzitu světla (úroveň PPF) lze nastavit mezi 20% - 100% světelného výkonu.

6.4 Připojení a napájení více zařízení zapojením do série

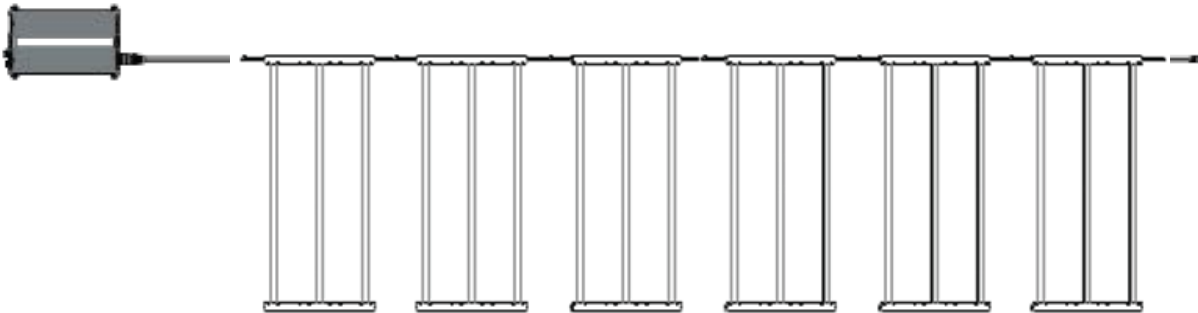
LED trafo VF 650W lze použít k napájení až sedm VF90W svítidel současně. Každé zařízení má vstupní napájecí kabel (zástrčka) a výstupní napájecí kabel (zásuvka).

Výstupní napájecí kabel LED trafo je připojen ke vstupnímu napájecímu kabelu svítidla 1.

Výstupní napájecí kabel svítidla 1 je připojen ke vstupnímu napájecímu kabelu svítidla 2.

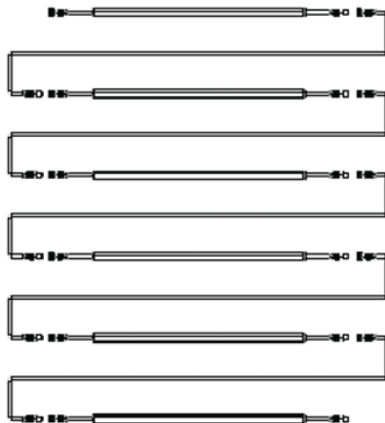
Výstupní napájecí kabel svítidla 2 je připojen ke vstupnímu napájecímu kabelu svítidla 3 a tak dále, dokud není připojeno všech pět zařízení.

Příklad horizontálního plánu připojení:



Pro alternativní světelné plány a větší flexibilitu lze prodlužovací propojovací kabely zakoupit samostatně.

Příklad vertikálního plánu připojení s prodlužovacími propojovacími kabely:



6.5 Připojení LED zařízení k elektrické síti

Varování! Ujistěte se, že je napájení ze sítě vypnuto.

Varování! Zajistěte, aby napájecí kabel nebyl svinut a nedotýkal se žádných horkých povrchů.

Varování! Připojte kabely podle místních předpisů, bezpečnostních předpisů a elektrických předpisů.

Varování! Pokud nepoužíváte externí ovladač osvětlení, ujistěte se, že si externí spínací zařízení dokáže poradit se startovacím proudem LED svítidel. Vždy používejte stykač časovače vhodný pro spínání kapacitní zátěže. K přepínání LED zařízení nikdy nepoužívejte časovače pro domácnost!

Varování! Nepřipojujte ani neodpojujte LED zařízení při zatížení.

Ujistěte se, že samosvorný samičí konektor kabelu napájecího zdroje LED je správně zarovnan s odpovídajícím samčím konektorem na ovladači a jsou zatlačeny k sobě, dokud nezaklapnou. Pro odpojení otočte samičí konektor proti směru hodinových ručiček, čím jej odemknete a potáhněte od řidiče.

Připojte zástrčku ze sítě ke spínacímu zařízení/napájecímu zdroji.

Zapněte síťové napájení.

7. INSPEKCE, ÚDRŽBA A OPRAVY

Varování! Před prováděním jakékoli údržby nebo oprav odpojte LED svítidlo ze sítě.

Varování! Nepřipojujte ani neodpojujte LED svítidlo při zatížení.

Varování! Neotevírejte ani nerozebírejte LED svítidlo, uvnitř nejsou žádné opravitelné díly. Otevření LED svítidla může být nebezpečné a bude mít za následek ztrátu záruky.

Varování! Vždy počkejte 20 - 30 minut, než LED světelné lišty vychladnou.

Pozor! LED svítidlo nečistěte čisticími prostředky, abrazivy nebo jinými agresivními látkami.

Pravidelně kontrolujte, zda se v LED zařízení nehromadí prach nebo nečistoty. V případě potřeby jej vyčistěte. Kontaminace může způsobit přehřátí a snížení výkonu. Vnější část LED svítidla čistěte suchým nebo vlhkým hadříkem.

Pravidelně kontrolujte kabely LED svítidla, zda nejsou poškozené.

8. SKLADOVÁNÍ A LIKVIDACE

Uchovávejte LED svítidlo v suchém a čistém prostředí s okolní teplotou od -25 ° C do 55 ° C. Produkt nesmí být likvidován jako netříděný komunální odpad, ale musí být separován odděleně za účelem zpracování, využití a ekologické likvidace.

9. ZÁRUKA

Společnost Lumatek zaručuje, že mechanické a elektronické součásti jejich výrobku budou bez závad na materiálu a zpracování, pokud budou používány za normálních provozních podmínek po dobu tří (3) let od původního data nákupu. Pokud výrobek v této lhůtě vykazuje jakékoli vady a tato vada není způsobena chybou uživatele nebo nesprávným použitím, společnost Lumatek podle svého uvážení buď vymění nebo opraví výrobek pomocí vhodných nových nebo repasovaných výrobků nebo dílů. V případě, že se Lumatek rozhodne vyměnit celý produkt, vztahuje se tato omezená záruka na náhradní výrobek po zbývajících počáteční záruční dobu, tj. tři (3) roky od data zakoupení původního produktu. Pro servis; výrobek vraťte do svého obchodu, kde jste jej zakoupili, s originálním dokladem o prodeji.

LUMATEK VF90W

LED FIXTURE РУКОВОДСТВО

РУССКИЙ

ОГЛАВЛЕНИЕ

- 1. Введение**
- 2. Описание продукта**
- 3. Информация о продукте и технические характеристики**
 - 3.1 Общая информация о продукте
 - 3.2 Технические характеристики
 - 3.3 Размеры приспособления
 - 3.4 График спектрального квантового распределения
 - 3.5 Кривая светораспределения
 - 3.6 Окружающая среда
 - 3.7 Юридическая информация
- 4. Рекомендации и предупреждения по безопасности**
- 5. Содержание**
- 6. Установка**
 - 6.1 Сборка и установка светильника
 - 6.2 Подключение и отключение светодиодного драйвера
 - 6.3 Переключение и подключение ручного диммера или внешнего контроллера освещения и регулировка интенсивности света (диммирование)
 - 6.4 Последовательное подключение светильников для внешнего управления
 - 6.5 Подключение светодиодного светильника к электросети
- 7. Осмотр, обслуживание и ремонт**
- 8. Хранение и утилизация**
- 9. Гарантия**

1. ВВЕДЕНИЕ

Благодарим вас за приобретение светодиодного светильника Lumatek VF90W. В данном руководстве описано, как установить и использовать светодиодный светильник; пожалуйста, внимательно прочитайте это руководство, прежде чем приступать к установке или эксплуатации любой светодиодной системы Lumatek. Если вы не умеете устанавливать высокоэффективные системы освещения, вам следует обратиться за услугами квалифицированного специалиста по установке.

2. ОПИСАНИЕ ПРОДУКТА

Светодиодный светильник Lumatek VF90W - это электрический светодиодный светильник для садоводства с линейным дизайном ленты и умным удаленным светодиодным драйвером, обеспечивающим внешнее управление и диммирование. Светодиодный светильник VF90W - это высокоэффективный растущий светильник с идеальной спектральной и PPF мощностью для выращивания рассады, черенков и клонов, а также всех целевых культур с низким PPF/D.

В светодиодном светильнике VF90W используются три 30-ваттные светодиодные линейки с белыми диодами 4000К и теплыми белыми диодами 3000К, обеспечивающие 244 мкмоль/с PPF и эффективность 2,4 мкмоль/Дж. Светильник универсален, его размеры 1207 x 521 x 20,5 мм (Д x Ш x В) позволяют закрепить его на стеллажах для вертикального выращивания или повесить в других закрытых помещениях.

Для работы светильника требуется светодиодный драйвер VF LED мощностью 650 Вт (продается отдельно), который может быть расположен удаленно для большей гибкости и может питать до Семь светодиодных светильников VF90W одновременно.

В данном руководстве светодиодный светильник Lumatek VF90W будет именоваться: «светодиодный светильник».

3. ИНФОРМАЦИЯ О ПРОДУКТЕ И ТЕХНИЧЕСКИЕ ХАРАКТЕРИСТИКИ

3.1 Общая информация о продукте

НАИМЕНОВАНИЕ ТОВАРА	VF90W LED fixture
КОД ПРОДУКТА	LUMLED014
ПРОИЗВОДИТЕЛЬ	Lumatek EU
EAN	5060560031802
ТИП РОЗЕТКИ	UK/EU

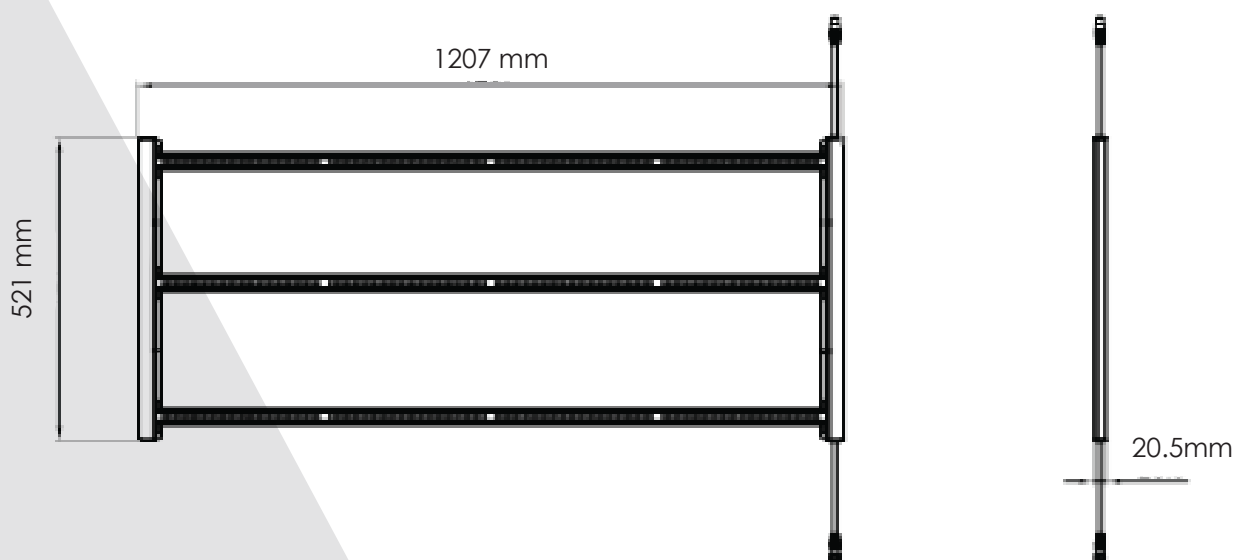
3.2 Технические характеристики

	1 СВЕТИЛЬНИКА	7 СВЕТИЛЬНИКОВ
ВХОДНОЕ НАПРЯЖЕНИЕ	220-240VAC 50/60Hz	220-240VAC 50/60Hz
ВХОДНАЯ МОЩНОСТЬ ПРИ 230 В ПЕРЕМЕННОГО ТОКА (100%)	103W	680W (±20)
ВХОДНОЙ ТОК @ 230 В ПЕРЕМЕННОГО ТОКА	0.45A	3.1A

PPF
ЭФФЕКТИВНОСТЬ
СПЕКТР
ИСТОЧНИК СВЕТА
ГАБАРИТНЫЕ РАЗМЕРЫ
МАССА
ПРОДОЛЖИТЕЛЬНОСТЬ ЖИЗНИ
РАБОЧАЯ ТЕМПЕРАТУРА
РАБОЧАЯ ВЛАЖНОСТЬ
ВОДОНЕПРОНИЦАЕМЫЙ / ПЫЛЕНЕПРОНИЦАЕМЫЙ
УГОЛ ЛУЧА
MANUÁLNÍ OVLADAČ STMÍVÁNÍ / EXTERNÍHO OSVĚTLENÍ

244 мкмоль/с
2.4 мкмоль/Дж
полный спектр
Высококачественный белый и теплый белый светодиод
1207 x 521 x 20.5mm
1.72кг
60000ч
-20° -- +40°C
20% - 90%
IP65
120°
0-10V сигнальный протокол

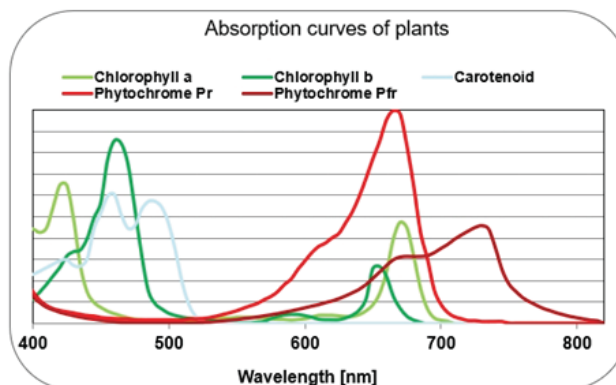
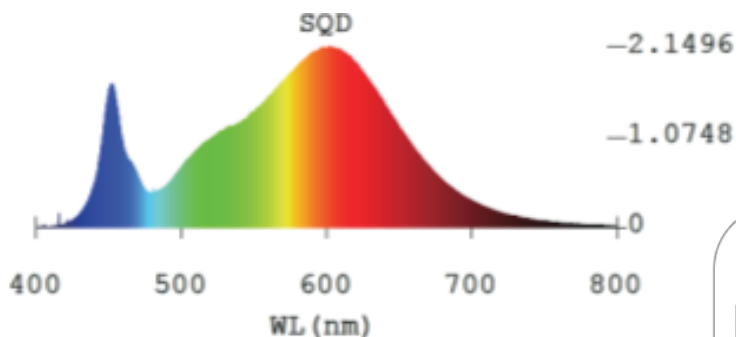
3.3 Размеры приспособления



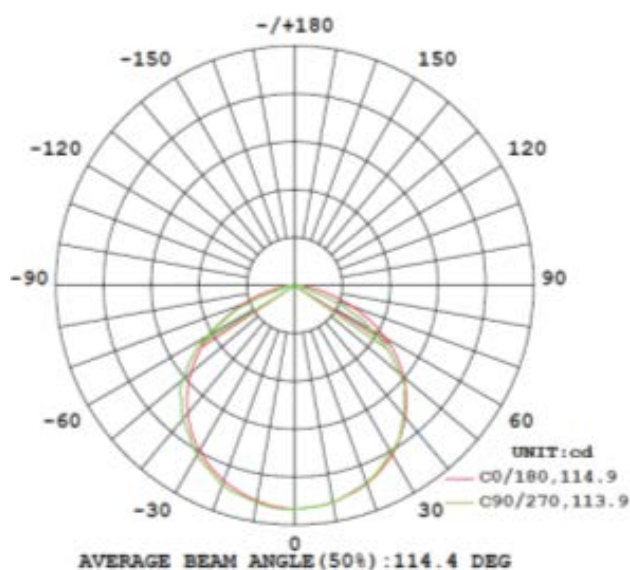
3.4 График спектрального квантового распределения

В светильниках VF используются высокоэффективные светодиоды высшего бина белого 4000K и теплого белого (3000K) цвета для создания сбалансированного полного спектра качественного света. идеального для фотосинтеза.

Full Spectrum P был разработан для выращивания рассады, черенков и клонов, а также всех целевых культур с низким PPFd.



3.5 Кривая светораспределения



3.6 Окружающая среда

Светодиодный светильник создан для использования в комнатах для выращивания с контролируемым климатом и на закрытых фермах. Он подходит для использования во влажной среде, но нельзя использовать в мокрой среде или на открытом воздухе.

Светильник будет работать при температуре окружающей среды от -10°C до 40°C, но оптимальный уровень составляет от 20°C до 30°C.

Он будет работать при влажности от 20% до 90% без конденсации.

3.7 Юридическая информация

Данное изделие сертифицировано UKCA и CE в соответствии со стандартами испытаний LVD и директивы по электромагнитной совместимости.

4. РЕКОМЕНДАЦИИ И ПРЕДУПРЕЖДЕНИЯ ПО БЕЗОПАСНОСТИ

Предупреждение! Внимательно прочтите приведенные ниже предупреждения перед использованием или работой с продуктом!

- Всегда соблюдайте местные правила и нормы при установке или использовании светодиодного светильника.
- Не открывайте и не разбирайте светодиодный светильник, так как внутри он не содержит деталей, подлежащих обслуживанию. Открытие или изменение светодиодного светильника может быть опасным и приведет к аннулированию гарантии.
- Если светодиодный светильник или его кабель питания повреждены, не используйте светодиодный светильник. Заменяйте шнур питания только на кабель правильного номинала.
- Модификация кабелей может привести к нежелательным электромагнитным эффектам, которые могут нарушить соответствие продукта требованиям законодательства.
- Не подвергайте светодиодный светильник воздействию:
 - Конденсирующая влажность, сильный туман или прямое распыление;
 - Температура окружающей среды вне указанного диапазона;
 - Пыль и загрязнения;
 - Прямой солнечный свет во время использования или СКРЫТЫЙ свет, который способствует нагреву драйвера.
- Перед выполнением любого обслуживания всегда отключайте светодиодный светильник от сети.
- Всегда дайте остыть светодиодному светильнику не менее 20-30 минут, прежде чем прикасаться к нему. Прикосновение к светодиодному светильнику, когда он горит, или сразу после него, может привести к ожогам!
- Естественная конвекция отводит тепло от радиатора. Для того, чтобы система слишком хорошо остыла, необходимо как минимум 5 см пространства между приспособлением и крышей вашего участка для выращивания.
- Не используйте абразивные материалы или агрессивные чистящие средства для очистки светодиодного светильника, так как это может повредить вторичную оптику. Вместо этого используйте чистую влажную или сухую ткань / ткань.
- Не используйте светодиодный светильник рядом с легковоспламеняющимися, взрывчатыми или химически активными веществами. Светодиодный светильник может нагреваться до 40°C.
- Не используйте испарители серы или водяные густые растворы.
- Конечный пользователь несет ответственность за установку и использование светодиодного светильника. Неправильное использование или установка может привести к выходу из строя и повреждению светодиодного светильника. Повреждение светодиодного светильника и электронных схем в результате неправильной установки и использования аннулирует гарантию.

5. СОДЕРЖАНИЕ

1x РУКОВОДСТВО
1 X СВЕТОДИОДНЫЙ
СВЕТИЛЬНИК VF90W



6. УСТАНОВКА

Предупреждение! Монтаж и установка светодиодного светильника должны производиться в соответствии с применимыми местными законами и правилами.

Предупреждение! Установщик несет ответственность за правильную и безопасную установку.

Предупреждение! Убедитесь, что местная кабельная разводка может поддерживать требования к напряжению и току светодиодного светильника.

Предупреждение! Избегайте скрученных кабелей и держите кабели отдельно друг от друга, чтобы предотвратить электромагнитные помехи.

Предупреждение! Не подключайте и не отключайте светодиодный светильник под нагрузкой.

6.1 Сборка и установка приспособлений

Внимание! Закрепите систему на основании, способном выдержать вес светодиодного светильника.

Крепление имеет крепежные отверстия на каждом конце рамы и может быть прикреплено непосредственно к вертикальным фермерским стеллажам или подвешено с помощью легких подвесов.

Закрепите светильник в нужном положении и на нужной высоте.

Для достижения оптимальной производительности установите светильник горизонтально на расстоянии 15 см - 40 см от растений.

6.2 Подключение и отключение светодиодного драйвера

Расположите светодиодный драйвер (продается отдельно) соответствующим образом, чтобы он не находился под прямым солнечным или HID-светом во избежание перегрева и не стоял прямо на полу, где он может соприкоснуться с водой или питательными веществами.

Светодиодный драйвер поставляется с кабелем питания длиной 4 м, выходным кабелем мощностью 1,5 м для подключения к светильнику (удлинительный кабель длиной 5 м можно приобрести отдельно) и кабелем управления яркостью 25 см для подключения блока диммеров/контроллера к драйверу. Для подключения светодиодного драйвера к светильнику;

Правильно совместите разъем OUTPUT кабеля питания драйвера с выходным гнездом драйвера и нажмите на него до щелчка.

Подключите другой конец выходного кабеля драйвера к входному кабелю приспособления.

Для отсоединения поверните коннектор против часовой стрелки, чтобы разблокировать, и потяните в сторону.

6.3 Включение и подключение ручного диммера или внешнего регулятора освещения и регулировка силы света (диммирование)

Если к драйверу не подключен блок диммера или контроллер, светодиодный светильник будет включаться на 100% мощности при включении питания от сети.

Светильник может быть включен/выключен с помощью диммерного блока или контроллера освещения с сигналом 0-10 В.

Интенсивность света светодиодного светильника можно регулировать без изменения спектра или потери эффективности. Это означает, что PPF может быть отрегулирована до нужного уровня для циклов роста.

Светодиодный драйвер может быть подключен к ручному регулятору яркости 0-10 В или универсальному световому контроллеру Lumatek Control Panel Plus (все продаются отдельно) для переключения и управления яркостью.

Подключите блок диммера или контроллер освещения к драйверу с помощью кабеля контроллера диммера, входящего в комплект поставки.

Убедитесь, что разъемы правильно выровнены, затем сдвиньте их вместе до щелчка. Чтобы разблокировать: поверните замок против часовой стрелки и потяните в сторону.

Интенсивность света (уровень PPF) можно регулировать в диапазоне от 20% до 100% светового потока.

6.4 Последовательное подключение и питание нескольких светильников

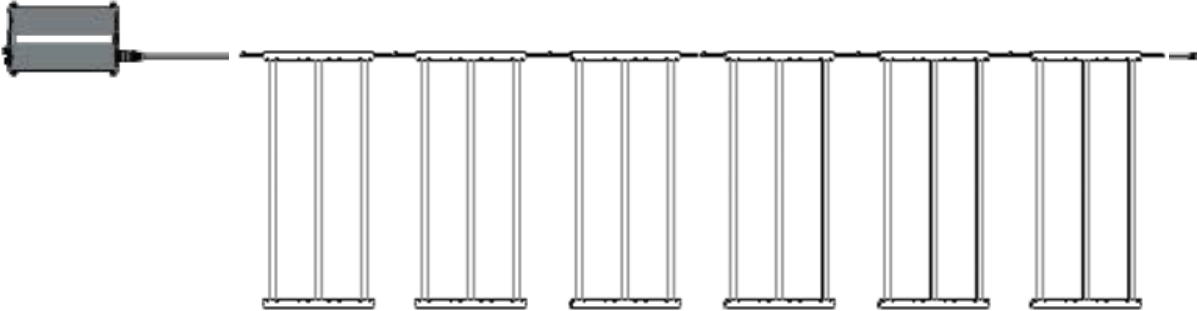
Светодиодный драйвер VF 650W может использоваться для одновременного питания до Семь светильников VF90W. Каждый светильник имеет входной кабель питания (разъем с наружной резьбой) и выходной кабель питания (разъем с внутренней резьбой).

Выходной кабель питания светодиодного драйвера подключается к входному кабелю питания светильника fixture1.

Выходной кабель питания Fixture1 подключается к входному кабелю питания Fixture2.

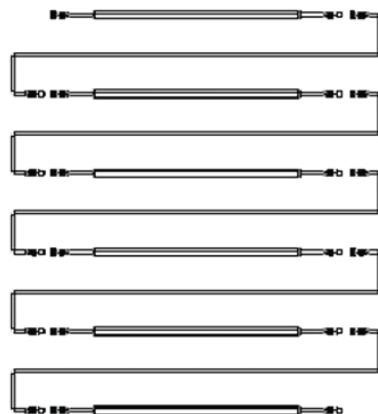
Выходной кабель питания Fixture2 подключается к входному кабелю питания Fixture3 и так далее, пока все Семь светильников не будут подключены.

Пример горизонтальной схемы подключения:



Для альтернативных планов освещения и большей гибкости удлинительные соединительные кабели можно приобрести отдельно.

Пример вертикального плана подключения с удлинительными соединительными кабелями:



6.5 Подключение светодиодного светильника к электросети

Предупреждение! Убедитесь, что сетевое питание отключено.

Предупреждение! Убедитесь, что кабель питания не скручен и не касается горячих поверхностей.

Предупреждение! Подключите кабели в соответствии с местными правилами, правилами техники безопасности и электротехническими правилами.

Предупреждение! Если внешний контроллер освещения не используется, убедитесь, что внешний коммутационный аппарат может выдерживать пусковой ток светодиодного светильника. Всегда используйте контактор таймера, который подходит для переключения емкостной нагрузки. Для включения светодиодного светильника никогда не используйте бытовые таймеры!

Убедитесь, что коннектор с поворотным замком кабеля питания светодиодного светильника правильно совмещен с разъемом AC INPUT на раме светильника, и сдвиньте вместе до щелчка.

Отключите, поверните соединитель поворотного замка против часовой стрелки, чтобы разблокировать, и отсоедините от драйвера.

Подключите сетевой шнур к коммутационному устройству/источнику питания.

Включите сетевое питание.

7. ОСМОТР, ОБСЛУЖИВАНИЕ И РЕМОНТ

Предупреждение! Отключите светодиодный светильник от сети перед выполнением любых работ по техническому обслуживанию или ремонту.

Предупреждение! Не подключайте и не отключайте светодиодный светильник под нагрузкой.

Предупреждение! Не открывайте и не разбирайте светодиодный светильник, внутри он не содержит обслуживаемых деталей. Открытие светодиодного светильника может быть опасным и приведет к аннулированию гарантии.

Предупреждение! Всегда ждите 20-30 минут, пока светодиодные полосы остынут, прежде чем брать их в руки.

Осторожно! Не очищайте светодиодный светильник моющими, абразивными или другими агрессивными веществами.

Проверяйте регулярно светодиодный светильник на предмет скопления пыли или грязи. В случае необходимости произведите очистку. Загрязнение может вызвать перегрев и снижение производительности.

8. ХРАНЕНИЕ И УТИЛИЗАЦИЯ

Необходимо хранить светодиодный светильник в сухом и чистом месте при температуре окружающей среды от -25°C до 55°C.

Продукт нельзя выбрасывать вместе с несортированными бытовыми отходами, его следует собирать отдельно с целью обработки, восстановления и экологически безопасной утилизации.

9. ГАРАНТИЯ

Lumatek гарантирует, что механические и электронные компоненты изделия не имеют дефектов материала и изготовления при использовании в нормальных условиях эксплуатации в течение трех (3) лет с даты покупки. Если в течение этого срока в изделии обнаружатся какие-либо дефекты и дефект не является следствием ошибки пользователя или неправильного использования, компания Lumatek по своему усмотрению заменит или отремонтирует изделие, используя подходящие новые или восстановленные изделия или детали. В случае если Lumatek примет решение о замене всего изделия, настоящая ограниченная гарантия будет распространяться на замененное изделие в течение оставшегося первоначального гарантийного срока, т.е. трех (3) лет с даты покупки оригинального изделия. Для получения обслуживания верните изделие в магазин с оригиналом товарного чека.

A black LED light fixture, model VF 90W, is shown in a close-up view. The fixture is mounted on a purple metal frame. The background features a green fern leaf pattern. The text "VF 90W" is printed in white on the black fixture.

VF 90W

STAY UP TO DATE WITH OUR **SOCIAL MEDIA** CHANNELS



GENERAL : info@lumatek-lighting.com
SALES SUPPORT : orders@lumatek-lighting.com
TECHNICAL SUPPORT : techsupport@lumatek-lighting.com
CONTACT : +44(0)1233 280567

VISIT US AT **WWW.LUMATEK-LIGHTING.COM**