



# TISSUE CULTURE PROCEDURE

CULTURE

## STEP 2: PLANT PREP

SCAN to watch our Tissue Culture Procedure Video:

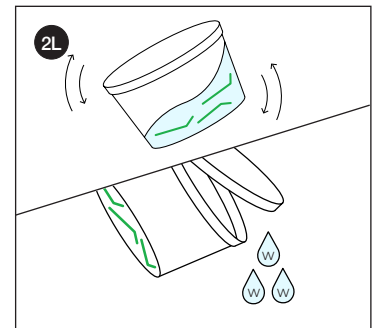
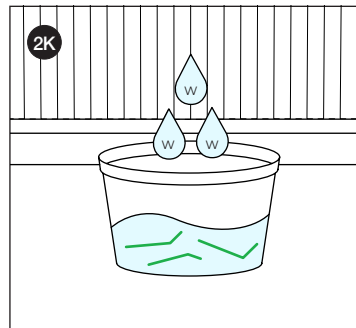
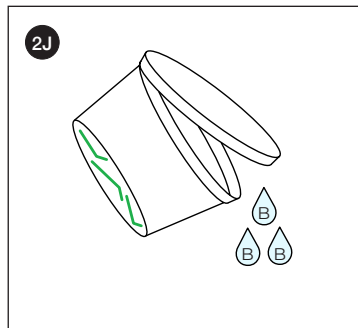
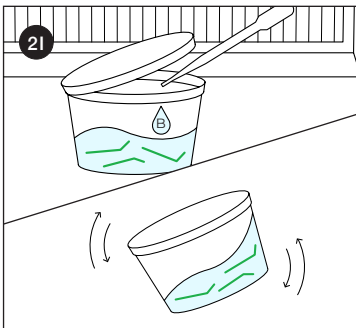
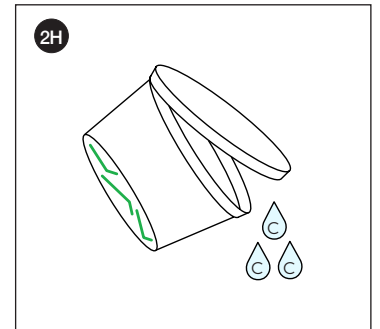
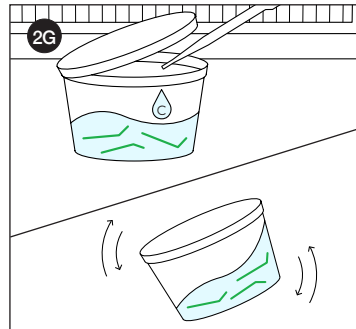
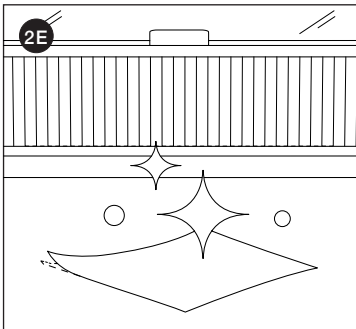
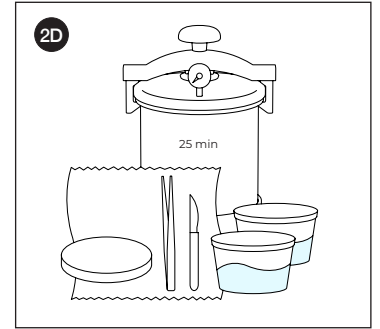
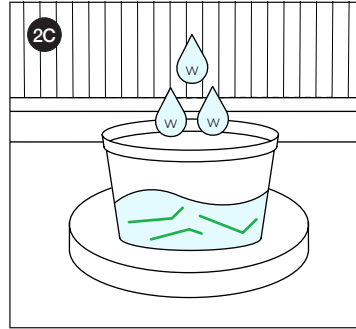
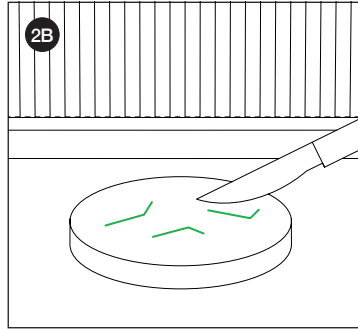
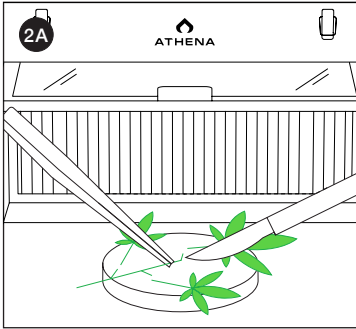


### ⚠️ DISCLAIMER:

- All sterile work is to be done under the workzone unless stated otherwise.
- Always wear gloves and a face covering when working in the workzone.
- Any container with liquid placed in the Autoclave must have a loosely opened lid.
- Spray gloves with alcohol between processes in the workzone.

- 2A. Place an apical cut taken from clean, healthy moms on a sterilized **work surface** in the **workzone** and remove the leaf material with a sterilized **scalpel**. **Note:** These can be uppers, lowers or middles. Healthier material will yield best results.
- 2B. Dissect the cutting at the middle of each internode leaving enough stem under each node to go into the media.
- 2C. Place all the nodes into a sterilized **utility vessel** and fill it with 240 mL (8 oz) of filtered water (W).
- 2D. Wrap the **forceps**, **scalpel**, **paper towel**, and **work surface** in aluminum and gather (2) **utility vessels** each filled with 240 mL (8 oz) of filtered water to place into the **Autoclave** for a full cycle.
- 2E. Clean and sterilize the **workzone** with alcohol wipes (inside and front surfaces).
- 2F. Place the items from the **Autoclave** into the **workzone** along with the sterilized **utility vessel** filled with nodes.

- 2G. Add 0.5 mL of **Cleanse (C)** and agitate the mixture for 15 secs.
- 2H. Slightly open the lid to pour the **Cleanse (C)** solution into a waste container without dropping nodes. **Note:** The waste container is held outside of the **workzone**.
- 2I. Use the **utility vessel** from the **Autoclave** to refill the **utility vessel** containing the nodes with 240 mL (8 oz) of water, add 20 mL of **Bleach (B)**, agitate the mixture, and leave for 10 min in the **workzone**.
- 2J. Slightly open the lid to pour the **Bleach (B)** solution into a waste container without dropping nodes. **Note:** The waste container is held outside of the **workzone**.
- 2K. Use the **utility vessel** from the **Autoclave** to refill the **utility vessel** containing the nodes with 240 mL (8 oz) of water (W).
- 2L. Agitate the **utility vessel** and pour out the water into a waste container as a final rinse.



Read the entire Directions for Use, Conditions of Warranties, and Limitations of Liability before using this product. If the terms are not acceptable, return the unopened product container at once. By using this product, user or buyer accepts the following Conditions, Disclaimer of Warranties, and Limitations of Liability. CONDITIONS: The directions for use of this product are believed to be adequate and must be followed carefully. However, it is impossible to eliminate all risks associated with the use of this product. Crop injury, ineffectiveness, or other unintended consequences may result because of such factors such as weather conditions, presence of other materials, or the manner of use or application, all of which are beyond the control of Athena Ag, Inc. All such risks shall be assumed by the user or buyer. DISCLAIMER OF WARRANTIES: To the extent consistent with applicable law, Athena Ag, Inc. makes no other warranties, express or implied, of merchantability or of fitness for a particular purpose or otherwise, that extend beyond the statements made on the product's label. No agent of Athena Ag, Inc. is authorized to make any warranties beyond those contained herein or to modify the warranties contained herein. To the extent consistent with applicable law, Athena Ag, Inc. disclaims any liability whatsoever for special, incidental, or consequential damages resulting from the use or handling of this product. LIMITATIONS OF LIABILITY: To the extent consistent with applicable law, the exclusive remedy of the user or buyer for any and all losses, injuries, or damages resulting from the use or handling of this product, whether in contract, warranty, tort, negligence, strict liability or otherwise, shall not exceed the purchase price paid, or at Athena Ag Inc.'s election, the replacement of product.

Follow us on Instagram!

@Athena.Ag

A01.002

AthenaAg.com

ATHENA®